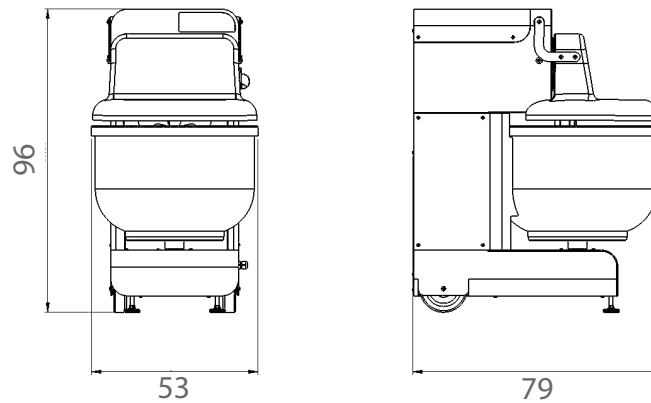
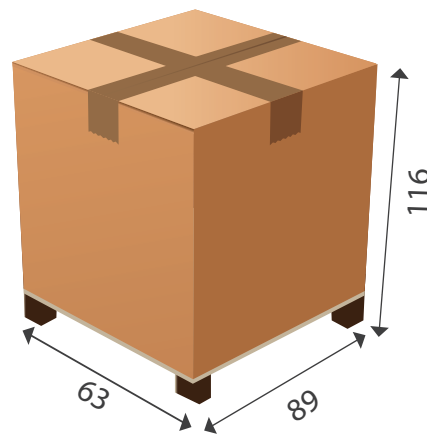


## BT48s three-phase: technical features



Maximum dimension of BT48s in cm.



<b>BTs 48</b>	
Flour capacity	3 - 30 kg
Kneading capacity	5 - 48 kg
Bowl capacity	60 lt
Dimensions of bowl	Ø 50 - h 34
Voltage	400 V three-phase
Phases	3
Power	1500 W
Speed of the arms	from 35 to 65 strokes/min
Kneading machine dimensions <small>LxPxH (cm)</small>	53x79x96
Dimensions with packaging <small>LxPxH (cm)</small>	63x89x120
Kneading machine weight / Weight with packaging	154 / 200 kg
Code	BT4840059