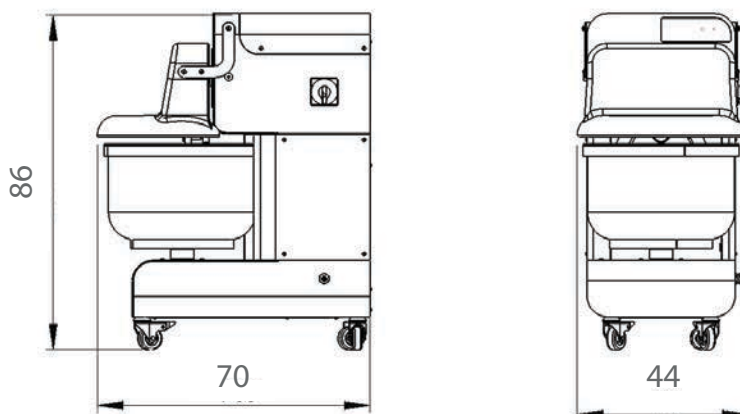
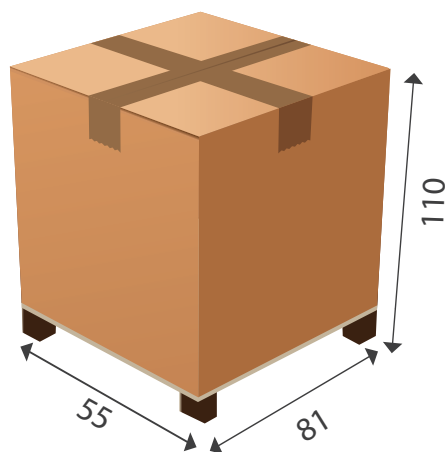


BT12s three-phase: technical features



Maximum dimension of BT12s in cm.



BTs 12	
Flour capacity	1,3 - 8 kg
Kneading capacity	2 - 12 kg
Bowl capacity	27 lt
Dimensions of bowl	Ø 38 - h 25
Voltage	400 V three-phase
Phases	3
Power	1100 W
Speed of the arms	from 35 to 65 strokes/min
Kneading machine dimensions <small>LxPxH (cm)</small>	44x70x86
Dimensions with packaging <small>LxPxH (cm)</small>	55x81x110
Kneading machine weight / Weight with packaging	128 kg / 150 kg
Code	BT1240059