



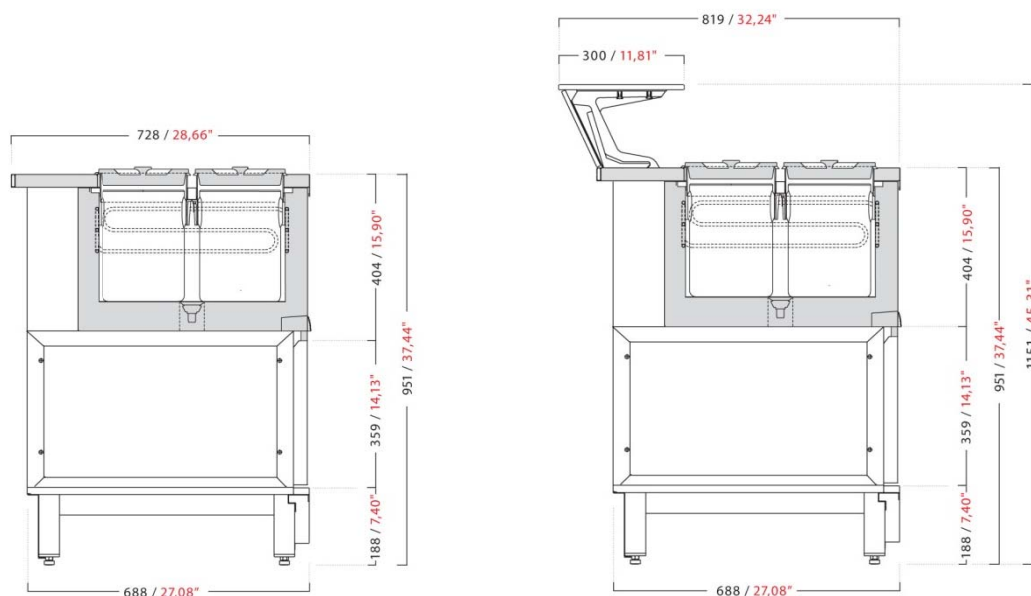
# POZZETTI VENTILATI / VENTILATED POZZETTI

Banco pozzetti ventilati senza riserva /  
Ventilated counter with 1 level of gelato tubs



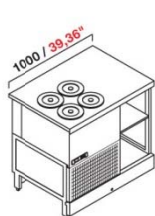
| CARATTERISTICHE TECNICHE  | OPTIONAL  | TECHNICAL SPECIFICATIONS  | OPTIONALS  |
|---|---|---|--|
| <ul style="list-style-type: none"> <li>- isolamento in schiuma di poliuretano iniettata a 40 kg/m3 con spessore 50 mm</li> <li>- interno vasca in acciaio inox 18/10 AISI 304</li> <li>- piletta di scarico vasca con tappo di chiusura per facilitare le operazioni di sbrinamento e di pulizia</li> <li>- 1 livello di carapine alte 250 mm</li> <li>- sistema anti-rotazione delle carapine</li> <li>- coperchi</li> <li>- piano in acciaio inox finitura Scotch-brite oppure a richiesta piano in marmo/granito/agglomerato</li> <li>- refrigerazione ventilata</li> <li>- pannello comandi elettronico</li> <li>- sbrinamento manuale con arresto dell'impianto</li> </ul> | <ul style="list-style-type: none"> <li>- carapine con sistema anti-rotazione</li> <li>- lavaporizzatore</li> <li>- bancalina in vetro</li> <li>- motore remoto</li> </ul> | <ul style="list-style-type: none"> <li>- insulation made of 50 mm / 1.97" thick polyurethane foam injected at 40 kg/m3</li> <li>- tank interior in 18/10 AISI 304 stainless steel</li> <li>- tank drains with plug to facilitate defrosting and cleaning operations</li> <li>- single level of 250 mm / 9.84" high gelato tubs</li> <li>- exclusive tubs anti-rotation system</li> <li>- round lids</li> <li>- stainless steel top with Scotch-Brite finish, or marble/granite/agglomerate top on request</li> <li>- ventilated refrigeration system</li> <li>- electronic control panel</li> <li>- manual defrost function with system stoppage</li> </ul> | <ul style="list-style-type: none"> <li>- tubs with anti-rotation system</li> <li>- scoop washer</li> <li>- glass countertop</li> <li>- remote condensing unit</li> </ul> |

## SEZIONI SECTION VIEWS

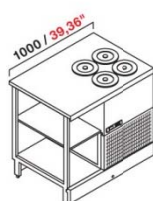


**BANCO POZZETTI VENTILATI SENZA RISERVA**  
Ventilated pozzetti counter with 1 level of gelato tubs

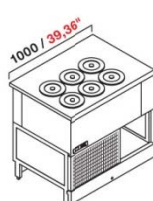
**BANCO POZZETTI VENTILATI SENZA RISERVA e bancalina in vetro**  
Ventilated pozzetti counter with 1 level of gelato tubs and glass countertop



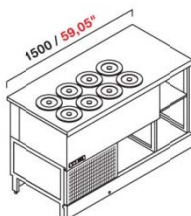
L 1000 UC/NUC 4 SX



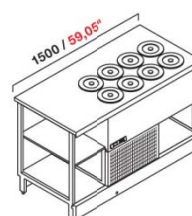
L 1000 UC/NUC 4 DX



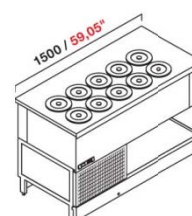
L 1000 UC/NUC 6



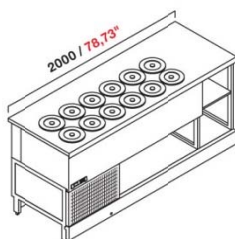
L 1500 UC/NUC 8 SX



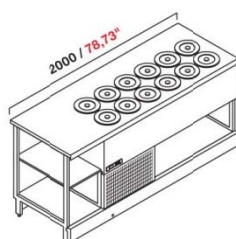
L 1500 UC/NUC 8 DX



L 1500 UC/NUC 10



L 2000 UC/NUC 12 SX





L 2000 UC/NUC 12 DX


DIMENSIONI, PESO E IMBALLO DIMENSIONS, WEIGHT AND PACKAGING

| MODELLO<br>MODEL | LUNGHEZZA con 2 fianchi<br>LENGTH with 2 end panels |        | PROFONDITÀ<br>DEPTH |        | PESO<br>WEIGHT |     | DIMENSIONE IMBALLO<br>PACKAGING DIMENSIONS |                    | PESO con imballo<br>CRATED WEIGHT |     |
|------------------|---|--------|---------------------|--------|----------------|-----|--|--------------------|-----------------------------------|-----|
|                  | mm  | in     | mm                  | in     | kg             | lb  | mm   | in                 | kg                                | lb  |
|                  | L 1000  | 1060   | 41.73"              | 728    | 28.66"         | 65  | 143  | 1124x911xH1367     | 44.3"x35.9"xH53.8"                | 102 |
| L 1500           | 1560  | 61.42" | 728                 | 28.66" | 107            | 236 | 1624x911xH1367                             | 63.9"x35.9"xH53.8" | 158                               | 348 |
| L 2000           | 2060  | 81.10" | 728                 | 28.66" | 154            | 340 | 2124x911xH1367                             | 83.6"x35.9"xH53.8" | 218                               | 481 |

DATI TECNICI TECHNICAL SPECIFICATIONS

| <br>ETL*<br>- NSF 7<br>- UL STD 471<br>- CAN/CSA C22.2 STD n. 120<br>Intertek Intertek |                     | UC = con motore a bordo<br>UC = with condensing unit on board<br><br>NUC = con motore remoto entro 10 metri<br>NUC = with condensing unit within 20 meters |     |     |                  | TENSIONE E FREQUENZA VOLTAGE AND FREQUENCY<br><br>V/Ph/Hz <b>208-220/1/60</b> |                                   |      |              |   |                 |
|---|---------------------|--|-----|-----|------------------|---|-----------------------------------|------|--------------|---|-----------------|
| MODELLO<br>MODEL  | POTENZA<br>COMP. HP | BREAKER<br>SIZE  | MCA | MOP | RESA<br>CAPACITY |   | CLASSE CLIMATICA<br>CLIMATE CLASS |      |              | TEMPERATURA DI ESERCIZIO<br>OPERATING TEMPERATURE |                 |
|   | HP                  | A  | A   | A   | W/h<br>-30°C     | BTU/h<br>-22°F  | °C                                | °F   | U.R.<br>R.H. | °C  | °F              |
| 4 pozzetti  | 1/3                 | 5  | 4   | 5   | 410              | 1.398   | 35°C                              | 95°F | 60%          | -2°C; -18°C                                       | +28.4°F; -0.4°F |
| 6 pozzetti  | 1/3                 | 5  | 4   | 5   | 410              | 1.398   | 35°C                              | 95°F | 60%          | -2°C; -18°C                                       | +28.4°F; -0.4°F |
| 8 pozzetti  | 1/2                 | 8  | 6   | 10  | 460              | 1.569   | 35°C                              | 95°F | 60%          | -2°C; -18°C                                       | +28.4°F; -0.4°F |
| 10 pozzetti   | 1/2                 | 8  | 6   | 10  | 460              | 1.569   | 35°C                              | 95°F | 60%          | -2°C; -18°C                                       | +28.4°F; -0.4°F |
| 12 pozzetti   | 5/8                 | 8  | 5   | 8   | 502              | 1.712   | 35°C                              | 95°F | 60%          | -2°C; -18°C                                       | +28.4°F; -0.4°F |

|  |  | UC<br>CON MOTORE A BORDO<br>WITH CONDENSING UNIT ON BOARD |                          |                |                                   | TENSIONE E FREQUENZA VOLTAGE AND FREQUENCY<br>MONOFASE - V/Ph/Hz <b>230/1/50</b> |              |   |                 |  |  |
|---|--|---|--------------------------|----------------|-----------------------------------|--|--------------|---|-----------------|--|--|
| MODELLO<br>MODEL  | POTENZA ASSORBITA<br>CURRENT CONSUMPTION |   | RESA<br>COOLING CAPACITY |                | CLASSE CLIMATICA<br>CLIMATE CLASS |  |              | TEMPERATURA DI ESERCIZIO<br>OPERATING TEMPERATURE |                 |  |  |
|   | monofase<br>230/1/50                     |   | monofase<br>230/1/50     |                | °C                                | °F   | U.R.<br>R.H. | °C  | °F              |  |  |
|   | W  | A   | W/h<br>-30°C             | BTU/h<br>-22°F |                                   |  |              |   |                 |  |  |
| L 1000 UC - 4 pozzetti  | 381                                      | 2.28  | 360                      | 1.228          | 35°C                              | 95°F   | 60%          | -2°C; -18°C                                       | +28.4°F; -0.4°F |  |  |
| L 1000 UC - 6 pozzetti  | 392                                      | 2.33  | 360                      | 1.228          | 35°C                              | 95°F   | 60%          | -2°C; -18°C                                       | +28.4°F; -0.4°F |  |  |
| L 1500 UC - 8 pozzetti  | 433                                      | 2.93  | 460                      | 1.570          | 35°C                              | 95°F   | 60%          | -2°C; -18°C                                       | +28.4°F; -0.4°F |  |  |
| L 1500 UC - 10 pozzetti   | 443                                      | 2.98  | 460                      | 1.570          | 35°C                              | 95°F   | 60%          | -2°C; -18°C                                       | +28.4°F; -0.4°F |  |  |
| L 2000 UC - 12 pozzetti   | 595                                      | 3.28  | 615                      | 2.100          | 35°C                              | 95°F   | 60%          | -2°C; -18°C                                       | +28.4°F; -0.4°F |  |  |

|  |  | CON MOTORE ENTRO 20 METRI<br>WITH CONDENSING UNIT WITHIN 20 METERS |                          |                |                                   | TENSIONE E FREQUENZA / VOLTAGE AND FREQUENCY<br>MONOFASE - V/Ph/Hz <b>230/1/50</b> |              |   |                 |  |  |
|---|--|--|--------------------------|----------------|-----------------------------------|--|--------------|---|-----------------|--|--|
| MODELLO<br>MODEL  | POTENZA ASSORBITA<br>CURRENT CONSUMPTION |  | RESA<br>COOLING CAPACITY |                | CLASSE CLIMATICA<br>CLIMATE CLASS |  |              | TEMPERATURA DI ESERCIZIO<br>OPERATING TEMPERATURE |                 |  |  |
|   | monofase<br>230/1/50                     |  | monofase<br>230/1/50     |                | °C                                | °F   | U.R.<br>R.H. | °C  | °F              |  |  |
|   | W  | A  | W/h<br>-30°C             | BTU/h<br>-22°F |                                   |  |              |   |                 |  |  |
| L 1000 NUC - 4 pozzetti   | 381                                      | 2.28   | 360                      | 1.228          | 35°C                              | 95°F   | 60%          | -2°C; -18°C                                       | +28.4°F; -0.4°F |  |  |
| L 1000 NUC - 6 pozzetti   | 392                                      | 2.33   | 460                      | 1.570          | 35°C                              | 95°F   | 60%          | -2°C; -18°C                                       | +28.4°F; -0.4°F |  |  |
| L 1500 NUC - 8 pozzetti   | 433                                      | 2.94   | 460                      | 1.570          | 35°C                              | 95°F   | 60%          | -2°C; -18°C                                       | +28.4°F; -0.4°F |  |  |
| L 1500 NUC - 10 pozzetti  | 443                                      | 2.98   | 615                      | 2.100          | 35°C                              | 95°F   | 60%          | -2°C; -18°C                                       | +28.4°F; -0.4°F |  |  |
| L 2000 NUC - 12 pozzetti  | 569                                      | 3.09   | 615                      | 2.100          | 35°C                              | 95°F   | 60%          | -2°C; -18°C                                       | +28.4°F; -0.4°F |  |  |



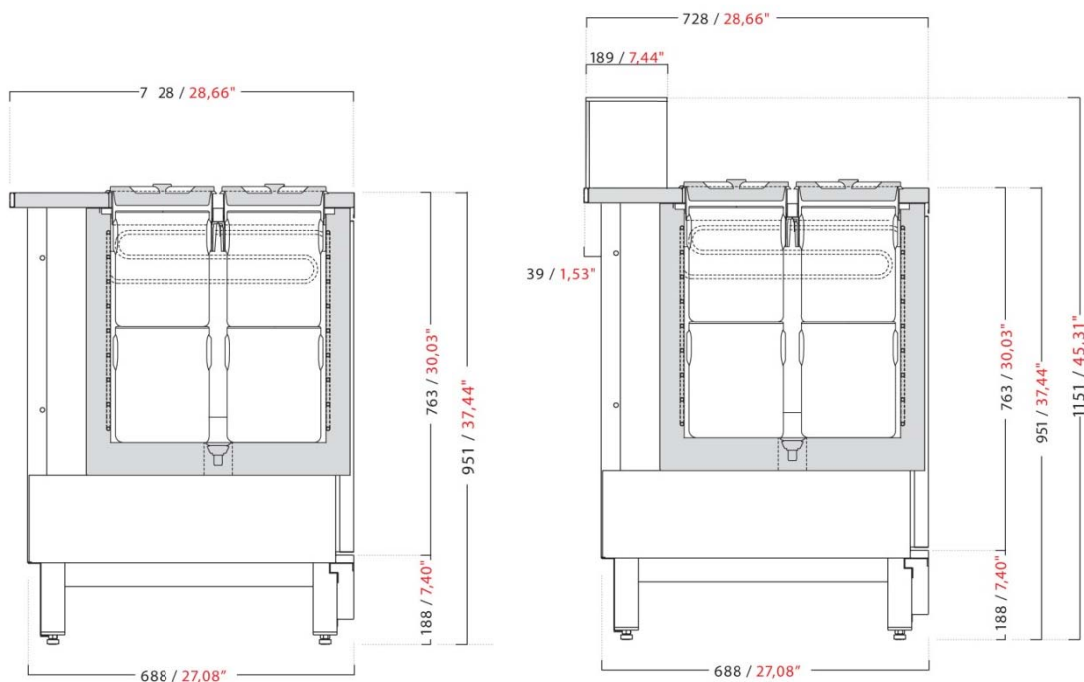
## POZZETTI VENTILATI / VENTILATED POZZETTI

Banco pozzetti ventilati con riserva /  
Pozzetti counter with 2 levels of gelato tubs



| CARATTERISTICHE TECNICHE  | TECHNICAL SPECIFICATIONS  | OPTIONAL  | OPTIONALS  |
|---|---|---|--|
| <ul style="list-style-type: none"> <li>- isolamento in schiuma di poliuretano iniettata a 40 kg/m3 con spessore 50 mm</li> <li>- interno vasca in acciaio inox 18/10 AISI 304</li> <li>- piletta di scarico vasca con tappo di chiusura per facilitare le operazioni di sbrinamento e di pulizia</li> <li>- 2 livelli di carapine alte 250 mm</li> <li>- sistema anti-rotazione delle carapine</li> <li>- coperchi</li> <li>- piano in acciaio inox finitura Scotch-brite oppure a richiesta piano in marmo/granito/agglomerato</li> <li>- refrigerazione ventilata</li> <li>- pannello comandi elettronico</li> <li>- sbrinamento manuale con arresto dell'impianto</li> </ul> | <ul style="list-style-type: none"> <li>- carapine con sistema anti-rotazione</li> <li>- lavaporizzatore</li> <li>- bancalina in vetro</li> <li>- motore remoto</li> </ul> | <ul style="list-style-type: none"> <li>- insulation made of 50 mm / 1.97" thick polyurethane foam injected at 40 kg/m3</li> <li>- tank interior in 18/10 AISI 304 stainless steel</li> <li>- tank drains with plug to facilitate defrosting and cleaning operations</li> <li>- double level of 250 mm / 9.84" high gelato tubs</li> <li>- exclusive tubs anti-rotation system</li> <li>- round lids</li> <li>- stainless steel top with Scotch-Brite finish, or marble/granite/agglomerate top on request</li> <li>- ventilated refrigeration system</li> <li>- electronic control panel</li> <li>- manual defrost function with system stoppage</li> </ul> | <ul style="list-style-type: none"> <li>- tubs with anti-rotation system</li> <li>- scoop washer</li> <li>- glass countertop</li> <li>- remote condensing unit</li> </ul> |

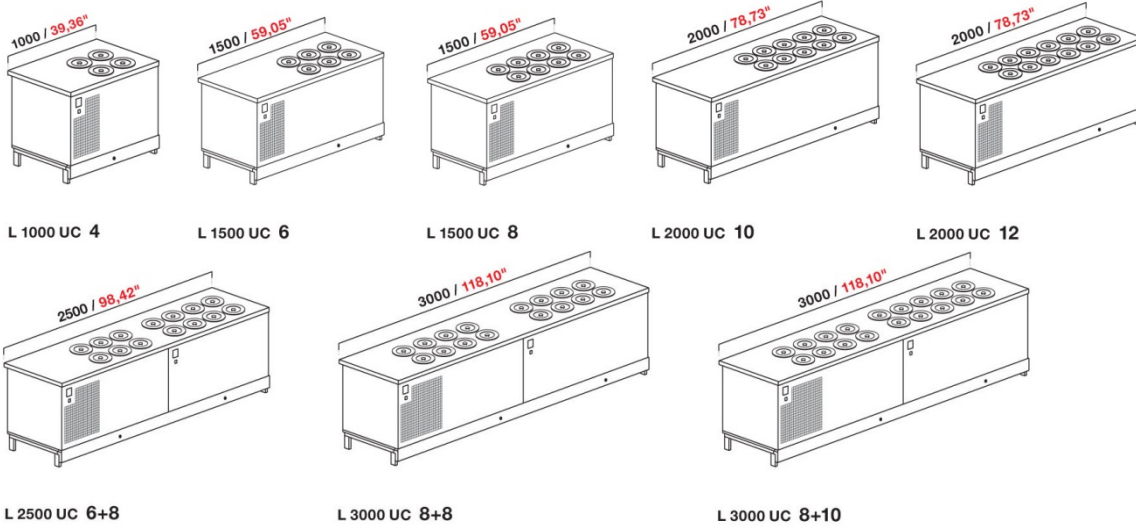
### SEZIONI SECTION VIEWS



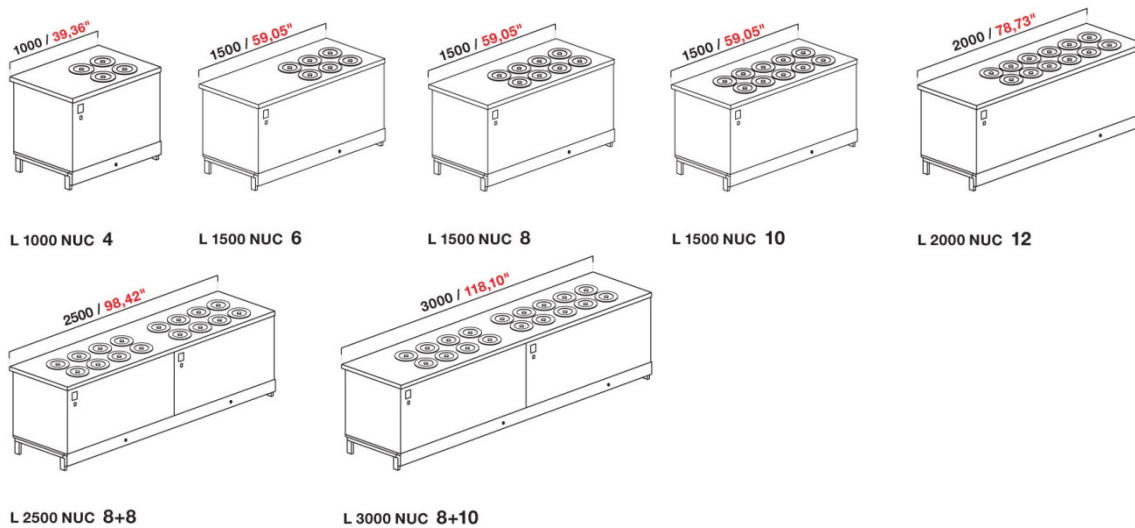
**BANCO POZZETTI VENTILATI CON RISERVA**  
Ventilated pozzetti counter with 2 levels of gelato tubs

**BANCO POZZETTI VENTILATI CON RISERVA e bancalina in vetro**  
Ventilated pozzetti counter with 2 levels of gelato tubs and glass countertop

MODULI UC = con motore a bordo UC units = with built-in air-cooled condensing unit




MODULI NUC = con motore remoto NUC units = with remote condensing unit





DIMENSIONI, PESO E IMBALLO DIMENSIONS, WEIGHT AND PACKAGING

| MODELLO<br>MODEL | LUNGHEZZA con 2 fianchi<br>LENGTH with 2 end panels |         | PROFONDITÀ<br>DEPTH |        | PESO<br>WEIGHT |     | DIMENSIONE IMBALLO<br>PACKAGING DIMENSIONS |                     | PESO con imballo<br>CRATED WEIGHT |     |
|------------------|---|---------|---------------------|--------|----------------|-----|--|---------------------|-----------------------------------|-----|
|                  | mm  | in      | mm                  | in     | kg             | lb  | mm   | in                  | kg                                | lb  |
| L 1000           | 1060  | 41.73"  | 728                 | 28.66" | 65             | 143 | 1124x911xH1367                             | 44.3"x35.9"xH53.8"  | 102                               | 225 |
| L 1500           | 1560  | 61.42"  | 728                 | 28.66" | 107            | 236 | 1624x911xH1367                             | 63.9"x35.9"xH53.8"  | 158                               | 348 |
| L 2000           | 2060  | 81.10"  | 728                 | 28.66" | 154            | 340 | 2124x911xH1367                             | 83.6"x35.9"xH53.8"  | 218                               | 481 |
| L 2500           | 2560  | 100.79" | 728                 | 28.66" | 196            | 432 | 2624x911xH1367                             | 103.3"x35.9"xH53.8" | 274                               | 604 |
| L 3000           | 3060  | 120.47" | 728                 | 28.66" | 240            | 529 | 3124x911xH1367                             | 123"x35.9"xH53.8"   | 332                               | 732 |

DATI TECNICI TECHNICAL SPECIFICATIONS

|  |                     |                 | <b>UC = con motore a bordo</b><br>UC = with condensing unit on board<br><br><b>NUC = con motore remoto entro 10 metri</b><br>NUC = with condensing unit within 20 meters |     |                  | <b>TENSIONE E FREQUENZA VOLTAGE AND FREQUENCY</b><br><br>V/Ph/Hz <b>208-220/1/60</b> |                                   |      |              |   |                 |
|---|---------------------|-----------------|--|-----|------------------|--|-----------------------------------|------|--------------|---|-----------------|
| MODELLO<br>MODEL  | POTENZA<br>COMP. HP | BREAKER<br>SIZE | MCA  | MOP | RESA<br>CAPACITY |  | CLASSE CLIMATICA<br>CLIMATE CLASS |      |              | TEMPERATURA DI ESERCIZIO<br>OPERATING TEMPERATURE |                 |
|   | HP                  | A               | A  | A   | W/h<br>-30°C     | BTU/h<br>-22°F   | °C                                | °F   | U.R.<br>R.H. | °C  | °F              |
| 4 pozzetti  | 1/3                 | 5               | 4  | 5   | 410              | 1.398  | 35°C                              | 95°F | 60%          | -2°C; -18°C                                       | +28.4°F; -0.4°F |
| 6 pozzetti  | 1/2                 | 8               | 6  | 10  | 460              | 1.569  | 35°C                              | 95°F | 60%          | -2°C; -18°C                                       | +28.4°F; -0.4°F |
| 8 pozzetti  | 5/8                 | 8               | 5  | 8   | 502              | 1.712  | 35°C                              | 95°F | 60%          | -2°C; -18°C                                       | +28.4°F; -0.4°F |
| 10 pozzetti   | 5/8                 | 8               | 5  | 8   | 502              | 1.712  | 35°C                              | 95°F | 60%          | -2°C; -18°C                                       | +28.4°F; -0.4°F |
| 12 pozzetti   | 1,2                 | 10              | 7  | 10  | 708              | 2.414  | 35°C                              | 95°F | 60%          | -2°C; -18°C                                       | +28.4°F; -0.4°F |

|  |  |      | <b>UC<br/>CON MOTORE A BORDO</b><br>WITH CONDENSING UNIT ON BOARD |                |                                   | <b>TENSIONE E FREQUENZA VOLTAGE AND FREQUENCY</b><br><br>MONOFASE - V/Ph/Hz <b>230/1/50</b> |              |   |                 |  |
|---|--|------|---|----------------|-----------------------------------|---|--------------|---|-----------------|--|
| MODELLO<br>MODEL  | POTENZA ASSORBITA<br>CURRENT CONSUMPTION |      | RESA<br>COOLING CAPACITY  |                | CLASSE CLIMATICA<br>CLIMATE CLASS |   |              | TEMPERATURA DI ESERCIZIO<br>OPERATING TEMPERATURE |                 |  |
|   | monofase<br>230/1/50                     |      | monofase<br>230/1/50  |                | °C                                | °F  | U.R.<br>R.H. | °C  | °F              |  |
|   | W  | A    | W/h<br>-30°C  | BTU/h<br>-22°F |                                   |   |              |   |                 |  |
| L 1000 UC - 4 pozzetti  | 351                                      | 2.39 | 320   | 1.091          | 35°C                              | 95°F  | 60%          | -2°C; -18°C                                       | +28.4°F; -0.4°F |  |
| L 1500 UC - 6 pozzetti  | 432                                      | 2.93 | 460   | 1.570          | 35°C                              | 95°F  | 60%          | -2°C; -18°C                                       | +28.4°F; -0.4°F |  |
| L 1500 UC - 8 pozzetti  | 584                                      | 3.23 | 615   | 2.100          | 35°C                              | 95°F  | 60%          | -2°C; -18°C                                       | +28.4°F; -0.4°F |  |
| L 2000 UC - 10 pozzetti   | 594                                      | 3.28 | 615   | 2.100          | 35°C                              | 95°F  | 60%          | -2°C; -18°C                                       | +28.4°F; -0.4°F |  |
| L 2000 UC - 12 pozzetti   | 745                                      | 3.43 | 925   | 3.158          | 35°C                              | 95°F  | 60%          | -2°C; -18°C                                       | +28.4°F; -0.4°F |  |
| L 2500 UC - 6+8 pozzetti  | 752                                      | 3.46 | 925   | 3.158          | 35°C                              | 95°F  | 60%          | -2°C; -18°C                                       | +28.4°F; -0.4°F |  |
| L 3000 UC - 8+8 pozzetti  | 1028                                     | 4.77 | 1190  | 4.058          | 35°C                              | 95°F  | 60%          | -2°C; -18°C                                       | +28.4°F; -0.4°F |  |
| L 3000 UC - 8+10 pozzetti   | 1038                                     | 4.81 | 1190  | 4.058          | 35°C                              | 95°F  | 60%          | -2°C; -18°C                                       | +28.4°F; -0.4°F |  |

|  |  |      | <b>CON MOTORE ENTRO 20 METRI</b><br>WITH CONDENSING UNIT WITHIN 20 METERS |                |                                   | <b>TENSIONE E FREQUENZA / VOLTAGE AND FREQUENCY</b><br><br>MONOFASE - V/Ph/Hz <b>230/1/50</b> |              |   |                 |  |
|---|--|------|---|----------------|-----------------------------------|---|--------------|---|-----------------|--|
| MODELLO<br>MODEL  | POTENZA ASSORBITA<br>CURRENT CONSUMPTION |      | RESA<br>COOLING CAPACITY  |                | CLASSE CLIMATICA<br>CLIMATE CLASS |   |              | TEMPERATURA DI ESERCIZIO<br>OPERATING TEMPERATURE |                 |  |
|   | monofase<br>230/1/50                     |      | monofase<br>230/1/50  |                | °C                                | °F  | U.R.<br>R.H. | °C  | °F              |  |
|   | W  | A    | W/h<br>-30°C  | BTU/h<br>-22°F |                                   |   |              |   |                 |  |
| L 1000 NUC - 4 pozzetti   | 421                                      | 2.88 | 460   | 1.570          | 35°C                              | 95°F  | 60%          | -2°C; -18°C                                       | +28.4°F; -0.4°F |  |
| L 1000 NUC - 6 pozzetti   | 557                                      | 3.03 | 615   | 2.100          | 35°C                              | 95°F  | 60%          | -2°C; -18°C                                       | +28.4°F; -0.4°F |  |
| L 1500 NUC - 8 pozzetti   | 654                                      | 2.29 | 925   | 3.158          | 35°C                              | 95°F  | 60%          | -2°C; -18°C                                       | +28.4°F; -0.4°F |  |
| L 1500 NUC - 10 pozzetti  | 664                                      | 3.23 | 925   | 3.158          | 35°C                              | 95°F  | 60%          | -2°C; -18°C                                       | +28.4°F; -0.4°F |  |
| L 2000 NUC - 12 pozzetti  | 940                                      | 3.64 | 1085  | 3.700          | 35°C                              | 95°F  | 60%          | -2°C; -18°C                                       | +28.4°F; -0.4°F |  |
| L 3000 NUC - 8+8 pozzetti   | 948                                      | 3.67 | 1085  | 3.700          | 35°C                              | 95°F  | 60%          | -2°C; -18°C                                       | +28.4°F; -0.4°F |  |
| L 3000 NUC - 10+10 pozzetti   | 958                                      | 3.72 | 1085  | 3.700          | 35°C                              | 95°F  | 60%          | -2°C; -18°C                                       | +28.4°F; -0.4°F |  |



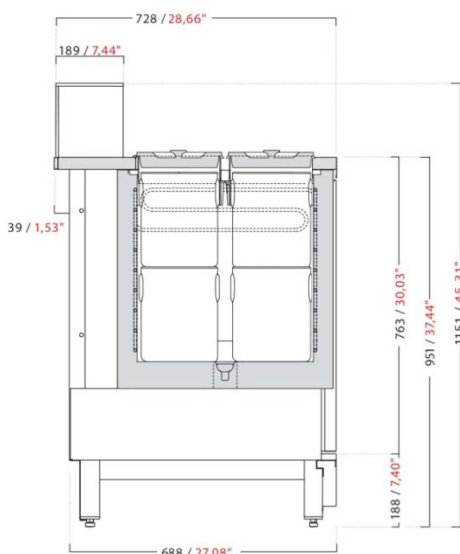
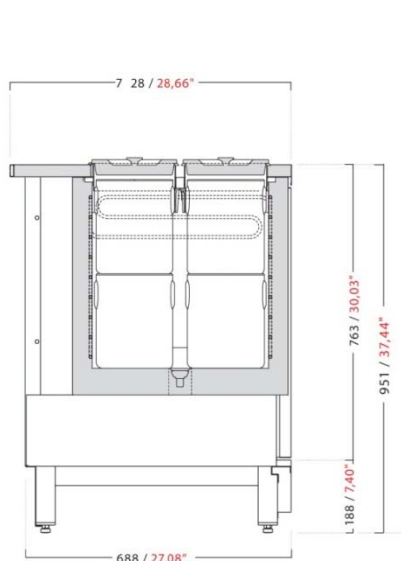
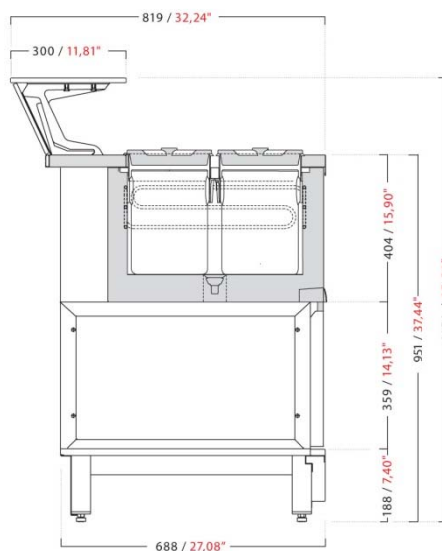
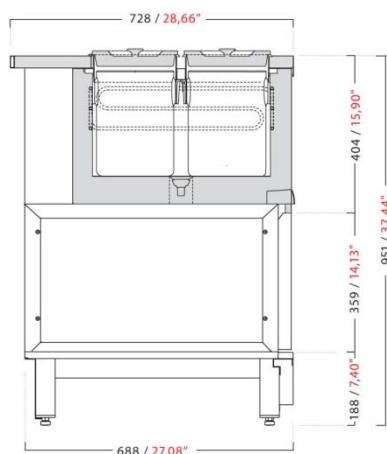
# POZZETTI VENTILATI / VENTILATED POZZETTI



## BANCO COMBINATO con e senza riserva / COMBINED COUNTER with 1 and 2 levels of gelato tubs

| CARATTERISTICHE TECNICHE   | OPTIONAL  | TECHNICAL SPECIFICATIONS   | OPTIONALS  |
|--|---|--|--|
| <ul style="list-style-type: none"> <li>- isolamento in schiuma di poliuretano iniettata a 40 kg/m<sup>3</sup> con spessore 50 mm</li> <li>- interno vasca in acciaio inox 18/10 AISI 304</li> <li>- piletta di scarico vasca con tappo di chiusura per facilitare le operazioni di sbrinamento e di pulizia</li> <li>- 1 e 2 livelli di carapine alte 250 mm</li> <li>- sistema anti-rotazione delle carapine</li> <li>- coperchi</li> <li>- piano in acciaio inox finitura Scotch-brite oppure a richiesta piano in marmo/granito/agglomerato</li> <li>- refrigerazione ventilata</li> <li>- pannello comandi elettronico</li> <li>- sbrinamento manuale con arresto dell'impianto</li> </ul> | <ul style="list-style-type: none"> <li>- carapine con sistema anti-rotazione</li> <li>- lavaporzatore</li> <li>- bancalina in vetro</li> <li>- motore remoto</li> </ul> | <ul style="list-style-type: none"> <li>- insulation made of 50 mm / 1.97" thick polyurethane foam injected at 40 kg/m<sup>3</sup></li> <li>- tank interior in 18/10 AISI 304 stainless steel</li> <li>- tank drains with plug to facilitate defrosting and cleaning operations</li> <li>- 1 and 2 levels of 250 mm / 9.84" high gelato tubs</li> <li>- exclusive tubs anti-rotation system</li> <li>- round lids</li> <li>- stainless steel top with Scotch-Brite finish, or marble/granite/agglomerate top on request</li> <li>- ventilated refrigeration system</li> <li>- electronic control panel</li> <li>- manual defrost function with system stoppage</li> </ul> | <ul style="list-style-type: none"> <li>- tubs with anti-rotation system</li> <li>- scoop washer</li> <li>- glass countertop</li> <li>- remote condensing unit</li> </ul> |

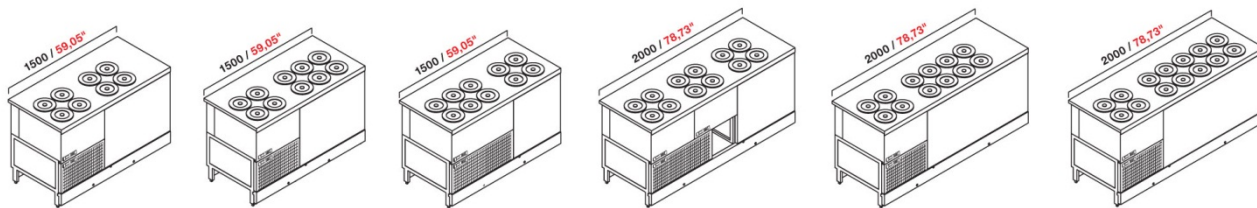
### SEZIONI SECTION VIEWS



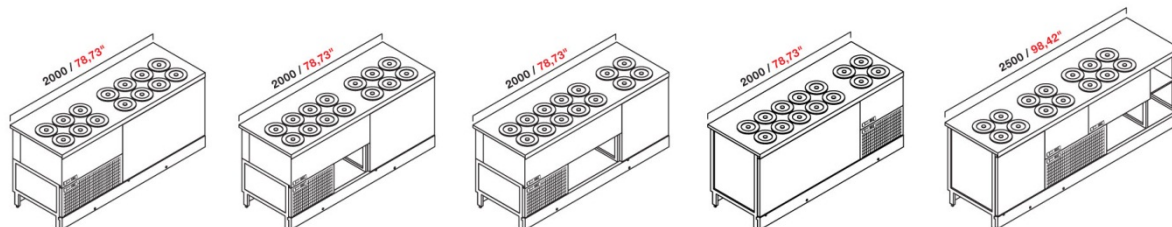
**BANCO POZZETTI COMBINATI - CON E SENZA RISERVA**  
Ventilated pozzetti counter with 1 and 2 levels of gelato tubs

**BANCO POZZETTI COMBINATI - CON E SENZA RISERVA e bancalina in vetro**  
Ventilated pozzetti counter with 1 and 2 levels of gelato tubs and glass countertop

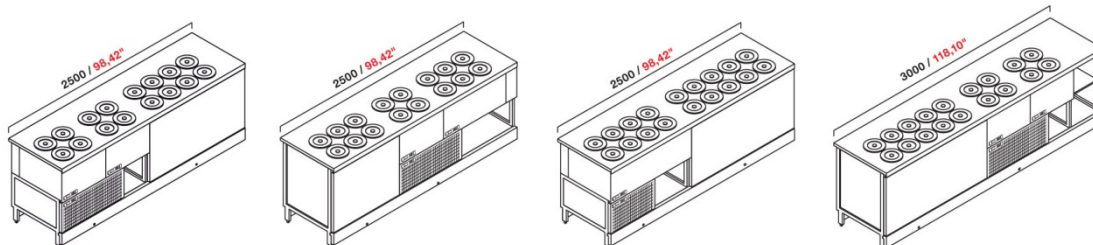
MODULI UC = con motore a bordo / NUC = con motore remoto UC units = with built-in air-cooled condensing unit / NUC units = with remote condensing unit



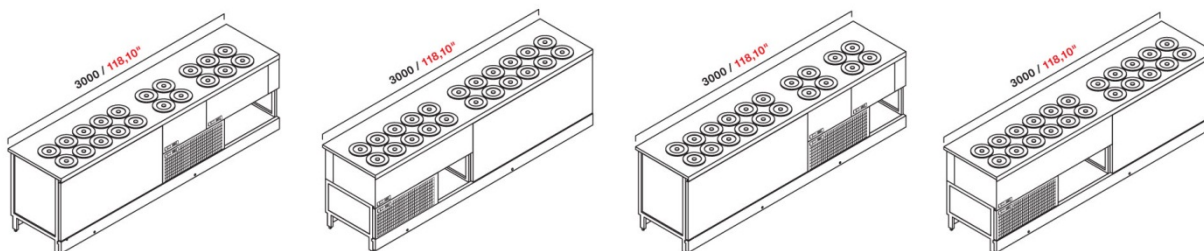
L 1500 UC/NUC 4+4R L 1500 UC/NUC 4+6R L 1500 UC/NUC 6+4R L 2000 UC/NUC 4+4+4R L 2000 UC/NUC 4+8R L 2000 UC/NUC 4+10R



L 2000 UC/NUC 6+8R L 2000 UC/NUC 8+6R L 2000 UC/NUC 10+4R L 2000 UC/NUC 10R+4 L 2500 UC/NUC 4R+4+4+6



L 2500 UC/NUC 4+4+8R L 2500 UC/NUC 6R+4+6 L 2500 UC/NUC 8+10R L 3000 UC/NUC 10R+4+4



L 3000 UC/NUC 10R+4+6 L 3000 UC/NUC 10+12R L 3000 UC/NUC 12R+4+4 L 3000 UC/NUC 12+10R

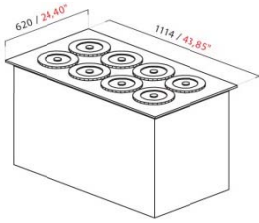
DIMENSIONI, PESO E IMBALLO DIMENSIONS, WEIGHT AND PACKAGING

| MODELLO<br>MODEL | LUNGHEZZA con 2 fianchi<br>LENGTH with 2 end panels |         | PROFONDITA<br>DEPTH |        | PESO<br>WEIGHT |     | DIMENSIONE IMBALLO<br>PACKAGING DIMENSIONS |                     | PESO con imballo<br>CRATED WEIGHT |     |
|------------------|---|---------|---------------------|--------|----------------|-----|--|---------------------|-----------------------------------|-----|
|                  | mm  | in      | mm                  | in     | kg             | lb  | mm   | in                  | kg                                | lb  |
| L 1500           | 1560  | 61.42"  | 728                 | 28.66" | 107            | 236 | 1624x911xH1367                             | 63.9"x35.9"xH53.8"  | 158                               | 348 |
| L 2000           | 2060  | 81.10"  | 728                 | 28.66" | 154            | 340 | 2124x911xH1367                             | 83.6"x35.9"xH53.8"  | 218                               | 481 |
| L 2500           | 2560  | 100.79" | 728                 | 28.66" | 196            | 432 | 2624x911xH1367                             | 103.3"x35.9"xH53.8" | 274                               | 604 |
| L 3000           | 3060  | 120.47" | 728                 | 28.66" | 240            | 529 | 3124x911xH1367                             | 123"x35.9"xH53.8"   | 332                               | 732 |

| MODELLO<br>MODEL        | POTENZA ASSORBITA<br>CURRENT CONSUMPTION |      |                      |                | RESA<br>COOLING CAPACITY |      | CLASSE CLIMATICA<br>CLIMATE CLASS |             |                 | TEMPERATURA DI ESERCIZIO<br>OPERATING TEMPERATURE |    |
|-------------------------|--|------|----------------------|----------------|--------------------------|------|-----------------------------------|-------------|-----------------|---|----|
|                         | monofase<br>230/1/50                     |      | monofase<br>230/1/50 |                | monofase<br>230/1/50     |      | °C                                | °F          | U.R.<br>R.H.    | °C  | °F |
|                         | W  | A    | W/h<br>-30°C         | BTU/h<br>-22°F |                          |      |                                   |             |                 |   |    |
| L 1500 4+4R pozzetti    | 584                                      | 3.23 | 615                  | 2.100          | 35°C                     | 95°F | 60%                               | -2°C; -18°C | +28.4°F; -0.4°F |   |    |
| L 1500 4+6R pozzetti    | 584                                      | 3.23 | 615                  | 2.100          | 35°C                     | 95°F | 60%                               | -2°C; -18°C | +28.4°F; -0.4°F |   |    |
| L 1500 6+4R pozzetti    | 584                                      | 3.23 | 615                  | 2.100          | 35°C                     | 95°F | 60%                               | -2°C; -18°C | +28.4°F; -0.4°F |   |    |
| L 2000 4+4+4R pozzetti  | 745                                      | 3.43 | 925                  | 3.158          | 35°C                     | 95°F | 60%                               | -2°C; -18°C | +28.4°F; -0.4°F |   |    |
| L 2000 4+8R pozzetti    | 745                                      | 3.43 | 925                  | 3.158          | 35°C                     | 95°F | 60%                               | -2°C; -18°C | +28.4°F; -0.4°F |   |    |
| L 2000 4+10R pozzetti   | 752                                      | 3.46 | 925                  | 3.158          | 35°C                     | 95°F | 60%                               | -2°C; -18°C | +28.4°F; -0.4°F |   |    |
| L 2000 6+8R pozzetti    | 752                                      | 3.46 | 925                  | 3.158          | 35°C                     | 95°F | 60%                               | -2°C; -18°C | +28.4°F; -0.4°F |   |    |
| L 2000 8+6R pozzetti    | 752                                      | 3.46 | 925                  | 3.158          | 35°C                     | 95°F | 60%                               | -2°C; -18°C | +28.4°F; -0.4°F |   |    |
| L 2000 10+4R pozzetti   | 752                                      | 3.46 | 925                  | 3.158          | 35°C                     | 95°F | 60%                               | -2°C; -18°C | +28.4°F; -0.4°F |   |    |
| L 2000 10R+4 pozzetti   | 752                                      | 3.46 | 925                  | 3.158          | 35°C                     | 95°F | 60%                               | -2°C; -18°C | +28.4°F; -0.4°F |   |    |
| L 2500 4R+4+6 pozzetti  | 752                                      | 3.46 | 925                  | 3.158          | 35°C                     | 95°F | 60%                               | -2°C; -18°C | +28.4°F; -0.4°F |   |    |
| L 2500 4+4+8R pozzetti  | 1028                                     | 4.77 | 1190                 | 4.058          | 35°C                     | 95°F | 60%                               | -2°C; -18°C | +28.4°F; -0.4°F |   |    |
| L 2500 6R+4+6 pozzetti  | 1028                                     | 4.77 | 1190                 | 4.058          | 35°C                     | 95°F | 60%                               | -2°C; -18°C | +28.4°F; -0.4°F |   |    |
| L 2500 8+10R pozzetti   | 1038                                     | 4.81 | 1190                 | 4.058          | 35°C                     | 95°F | 60%                               | -2°C; -18°C | +28.4°F; -0.4°F |   |    |
| L 3000 10R+4+4 pozzetti | 1038                                     | 4.81 | 1190                 | 4.058          | 35°C                     | 95°F | 60%                               | -2°C; -18°C | +28.4°F; -0.4°F |   |    |
| L 3000 10R+4+6 pozzetti | 1038                                     | 4.81 | 1190                 | 4.058          | 35°C                     | 95°F | 60%                               | -2°C; -18°C | +28.4°F; -0.4°F |   |    |
| L 3000 12R+4+4 pozzetti | 1038                                     | 4.81 | 1190                 | 4.058          | 35°C                     | 95°F | 60%                               | -2°C; -18°C | +28.4°F; -0.4°F |   |    |
| L 3000 10+12R pozzetti  | 1188                                     | 6.41 | 460+925              | 1.570+3.158    | 35°C                     | 95°F | 60%                               | -2°C; -18°C | +28.4°F; -0.4°F |   |    |
| L 3000 12+10R pozzetti  | 1189                                     | 6.56 | 615+615              | 2.100+2.100    | 35°C                     | 95°F | 60%                               | -2°C; -18°C | +28.4°F; -0.4°F |   |    |

| MODELLO<br>MODEL        | POTENZA ASSORBITA<br>CURRENT CONSUMPTION |      |                      |                | RESA<br>COOLING CAPACITY |      | CLASSE CLIMATICA<br>CLIMATE CLASS |             |                 | TEMPERATURA DI ESERCIZIO<br>OPERATING TEMPERATURE |    |
|-------------------------|--|------|----------------------|----------------|--------------------------|------|-----------------------------------|-------------|-----------------|---|----|
|                         | monofase<br>230/1/50                     |      | monofase<br>230/1/50 |                | monofase<br>230/1/50     |      | °C                                | °F          | U.R.<br>R.H.    | °C  | °F |
|                         | W  | A    | W/h<br>-30°C         | BTU/h<br>-22°F |                          |      |                                   |             |                 |   |    |
| L 1500 4+4R pozzetti    | 654                                      | 3.19 | 925                  | 3.158          | 35°C                     | 95°F | 60%                               | -2°C; -18°C | +28.4°F; -0.4°F |   |    |
| L 1500 4+6R pozzetti    | 664                                      | 3.23 | 925                  | 3.158          | 35°C                     | 95°F | 60%                               | -2°C; -18°C | +28.4°F; -0.4°F |   |    |
| L 1500 6+4R pozzetti    | 664                                      | 3.23 | 925                  | 3.158          | 35°C                     | 95°F | 60%                               | -2°C; -18°C | +28.4°F; -0.4°F |   |    |
| L 2000 4+4+4R pozzetti  | 940                                      | 3.64 | 1200                 | 4.092          | 35°C                     | 95°F | 60%                               | -2°C; -18°C | +28.4°F; -0.4°F |   |    |
| L 2000 4+8R pozzetti    | 940                                      | 3.64 | 1200                 | 4.092          | 35°C                     | 95°F | 60%                               | -2°C; -18°C | +28.4°F; -0.4°F |   |    |
| L 2000 4+10R pozzetti   | 947                                      | 3.67 | 1200                 | 4.092          | 35°C                     | 95°F | 60%                               | -2°C; -18°C | +28.4°F; -0.4°F |   |    |
| L 2000 6+8R pozzetti    | 947                                      | 3.67 | 1200                 | 4.092          | 35°C                     | 95°F | 60%                               | -2°C; -18°C | +28.4°F; -0.4°F |   |    |
| L 2000 8+6R pozzetti    | 947                                      | 3.67 | 1200                 | 4.092          | 35°C                     | 95°F | 60%                               | -2°C; -18°C | +28.4°F; -0.4°F |   |    |
| L 2000 10+4R pozzetti   | 947                                      | 3.67 | 1200                 | 4.092          | 35°C                     | 95°F | 60%                               | -2°C; -18°C | +28.4°F; -0.4°F |   |    |
| L 2000 10R+4 pozzetti   | 947                                      | 3.67 | 1200                 | 4.092          | 35°C                     | 95°F | 60%                               | -2°C; -18°C | +28.4°F; -0.4°F |   |    |
| L 2500 4R+4+6 pozzetti  | 947                                      | 3.67 | 1200                 | 4.092          | 35°C                     | 95°F | 60%                               | -2°C; -18°C | +28.4°F; -0.4°F |   |    |
| L 2500 4+4+8R pozzetti  | 948                                      | 3.67 | 1200                 | 4.092          | 35°C                     | 95°F | 60%                               | -2°C; -18°C | +28.4°F; -0.4°F |   |    |
| L 2500 6R+4+6 pozzetti  | 947                                      | 3.67 | 1200                 | 4.092          | 35°C                     | 95°F | 60%                               | -2°C; -18°C | +28.4°F; -0.4°F |   |    |
| L 2500 8+10R pozzetti   | 958                                      | 3.72 | 1200                 | 4.092          | 35°C                     | 95°F | 60%                               | -2°C; -18°C | +28.4°F; -0.4°F |   |    |
| L 3000 10R+4+4 pozzetti | 958                                      | 3.72 | 1200                 | 4.092          | 35°C                     | 95°F | 60%                               | -2°C; -18°C | +28.4°F; -0.4°F |   |    |
| L 3000 10R+4+6 pozzetti | 968                                      | 3.76 | 1200                 | 4.092          | 35°C                     | 95°F | 60%                               | -2°C; -18°C | +28.4°F; -0.4°F |   |    |
| L 3000 12R+4+4 pozzetti | 968                                      | 3.76 | 1200                 | 4.092          | 35°C                     | 95°F | 60%                               | -2°C; -18°C | +28.4°F; -0.4°F |   |    |
| L 3000 10+12R pozzetti  | 1508                                     | 6.72 | 539+910              | 1.838+3.103    | 35°C                     | 95°F | 60%                               | -2°C; -18°C | +28.4°F; -0.4°F |   |    |
| L 3000 12+10R pozzetti  | 1233                                     | 6.32 | 539+635              | 1.838+2.165    | 35°C                     | 95°F | 60%                               | -2°C; -18°C | +28.4°F; -0.4°F |   |    |





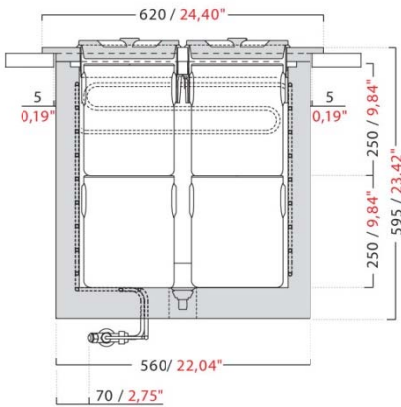
# POZZETTI

## VASCA da incasso con riserva / 2 levels built-in pozzetti TANK



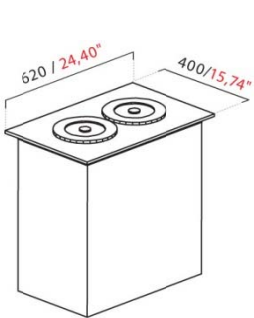
| CARATTERISTICHE TECNICHE  | OPTIONAL  | TECHNICAL SPECIFICATIONS   | OPTIONALS  |
|---|---|--|--|
| <ul style="list-style-type: none"> <li>- vasca monoblocco schiumata in poliuretano iniettato a 40 kg/m3</li> <li>- 2 livelli di carapine</li> <li>- piano da incasso in acciaio inox finitura Scotch-brite</li> <li>- sistema anti-rotazione delle carapine</li> <li>- coperchi</li> <li>- vasca interna in acciaio inox con piletta di scarico dotata di tappo di chiusura</li> <li>- refrigerazione ventilata</li> <li>- pannello comandi elettronico</li> <li>- sbrinamento manuale con arresto dell'impianto</li> </ul> | <ul style="list-style-type: none"> <li>- carapine con sistema anti-rotazione</li> </ul> | <ul style="list-style-type: none"> <li>- monobloc foam tank insulated with injected polyurethane (40 kg/m3)</li> <li>- 2 levels of gelato tubs</li> <li>- stainless steel top with Scotch-Brite finish, which fits into the hole prepared on the counter top</li> <li>- exclusive tubs anti-rotation system</li> <li>- round lids</li> <li>- inner basin in stainless steel with drain</li> <li>- ventilated refrigeration system</li> <li>- electronic control panel</li> <li>- manual defrost function with system stoppage</li> </ul> | <ul style="list-style-type: none"> <li>- tubs with anti-rotation system</li> </ul> |

### SEZIONE SECTION VIEW



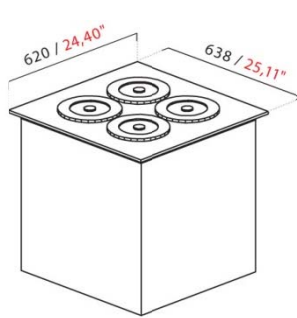
### VASCA POZZETTI INCASSO CON RISERVA

### 2 LEVELS BUILT-IN POZZETTI TANK



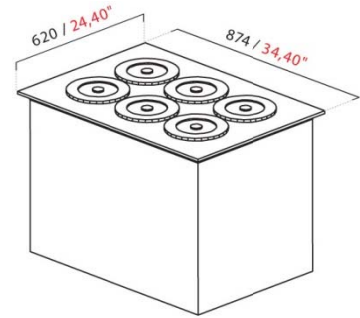
#### 2 FORI / 2 HOLES

2+2 carapine - 5 litri cad. / 2+2 tubs - 5 liters each



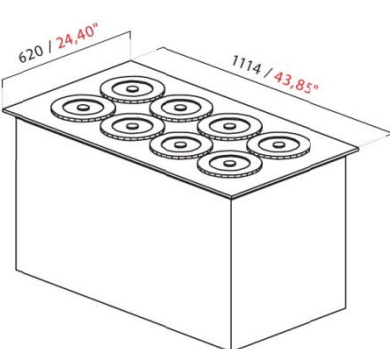
#### 4 FORI / 4 HOLES

4+4 carapine - 5 litri cad. / 4+4 tubs - 5 liters each



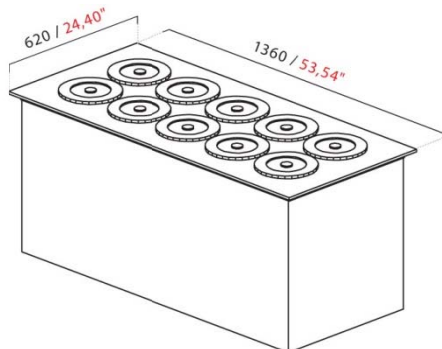
#### 6 FORI / 6 HOLES

6+6 carapine - 5 litri cad. / 6+6 tubs - 5 liters each



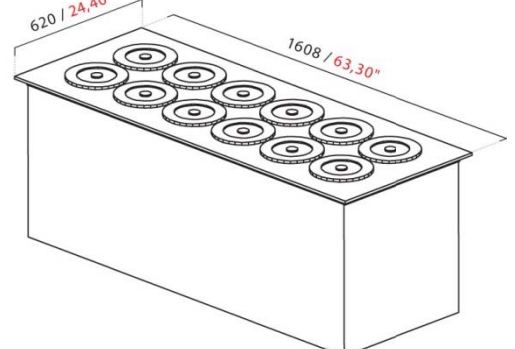
#### 8 FORI / 8 HOLES

8+8 carapine - 5 litri cad. / 8+8 tubs - 5 liters each



#### 10 FORI / 10 HOLES

10+10 carapine - 5 litri cad. / 10+10 tubs - 5 liters each




#### 12 FORI / 12 HOLES


12+12 carapine - 5 litri cad. / 12+12 tubs - 5 liters each


DIMENSIONI, PESO E IMBALLO DIMENSIONS, WEIGHT AND PACKAGING

| MODELLO<br>MODEL | LUNGHEZZA<br>LENGTH |        | PROFONDITÀ<br>DEPTH |        | PESO<br>WEIGHT |     | DIMENSIONE IMBALLO<br>PACKAGING DIMENSIONS |                    | PESO con imballo<br>CRATED WEIGHT |     |
|------------------|---------------------|--------|---------------------|--------|----------------|-----|--|--------------------|-----------------------------------|-----|
|                  | mm                  | in     | mm                  | in     | kg             | lb  | mm   | in                 | kg                                | lb  |
| 2 fori / holes   | 400                 | 15.74" | 620                 | 24.40" | 37             | 82  | 1064x779xH767                              | 41.9"x30.7"xH30.2" | 67                                | 148 |
| 4 fori / holes   | 638                 | 25.11" | 620                 | 24.40" | 49             | 108 | 1064x779xH767                              | 41.9"x30.7"xH30.2" | 87                                | 192 |
| 6 fori / holes   | 874                 | 34.41" | 620                 | 24.40" | 59             | 130 | 1064x779xH767                              | 41.9"x30.7"xH30.2" | 110                               | 243 |
| 8 fori / holes   | 1114                | 43.85" | 620                 | 24.40" | 69             | 152 | 1400x840xH444                              | 55.1"x33.1"xH17.5" | 133                               | 293 |
| 10 fori / holes  | 1360                | 53.54" | 620                 | 24.40" | 79             | 174 | 1624x911xH767                              | 63.9"x35.9"xH30.2" | 143                               | 315 |
| 12 fori / holes  | 1608                | 63.30" | 620                 | 24.40" | 89             | 196 | 2124x911xH767                              | 83.6"x35.9"xH30.2" | 167                               | 368 |

DATI TECNICI TECHNICAL SPECIFICATIONS

|  |                     |                 | <b>UC</b><br>CON MOTORE A BORDO<br>WITH CONDENSING UNIT ON BOARD |     |                  |                | TENSIONE E FREQUENZA VOLTAGE AND FREQUENCY<br>V/Ph/Hz <b>208-220/1/60</b> |      |              |   |                 |
|---|---------------------|-----------------|--|-----|------------------|----------------|---|------|--------------|---|-----------------|
| MODELLO<br>MODEL  | POTENZA<br>COMP. HP | BREAKER<br>SIZE | MCA  | MOP | RESA<br>CAPACITY |                | CLASSE CLIMATICA<br>CLIMATE CLASS   |      |              | TEMPERATURA DI ESERCIZIO<br>OPERATING TEMPERATURE |                 |
|   | HP                  | A               | A  | A   | W/h<br>-30°C     | BTU/h<br>-22°F | °C  | °F   | U.R.<br>R.H. | °C  | °F              |
| 2 fori / holes  | 1/3                 | 5               | 4  | 5   | 410              | 1.398          | 35°C  | 95°F | 60%          | -2°C; -18°C                                       | +28.4°F; -0.4°F |
| 4 fori / holes  | 1/3                 | 5               | 4  | 5   | 410              | 1.398          | 35°C  | 95°F | 60%          | -2°C; -18°C                                       | +28.4°F; -0.4°F |
| 6 fori / holes  | 1/2                 | 8               | 6  | 10  | 460              | 1.569          | 35°C  | 95°F | 60%          | -2°C; -18°C                                       | +28.4°F; -0.4°F |
| 8 fori / holes  | 5/8                 | 8               | 5  | 8   | 502              | 1.712          | 35°C  | 95°F | 60%          | -2°C; -18°C                                       | +28.4°F; -0.4°F |
| 10 fori / holes   | 5/8                 | 8               | 5  | 8   | 502              | 1.712          | 35°C  | 95°F | 60%          | -2°C; -18°C                                       | +28.4°F; -0.4°F |
| 12 fori / holes   | 1,2                 | 10              | 7  | 10  | 708              | 2.414          | 35°C  | 95°F | 60%          | -2°C; -18°C                                       | +28.4°F; -0.4°F |

|  |  |      | <b>UC</b><br>CON MOTORE A BORDO<br>WITH CONDENSING UNIT ON BOARD |                |                                   |      | TENSIONE E FREQUENZA VOLTAGE AND FREQUENCY<br>MONOFASE - V/Ph/Hz <b>230/1/50</b> |   |                 |  |  |
|---|--|------|--|----------------|-----------------------------------|------|--|---|-----------------|--|--|
| MODELLO<br>MODEL  | POTENZA ASSORBITA<br>CURRENT CONSUMPTION |      | RESA<br>COOLING CAPACITY   |                | CLASSE CLIMATICA<br>CLIMATE CLASS |      |  | TEMPERATURA DI ESERCIZIO<br>OPERATING TEMPERATURE |                 |  |  |
|   | monofase<br>230/1/50                     |      | monofase<br>230/1/50   |                | °C                                | °F   | U.R.<br>R.H.   | °C  | °F              |  |  |
|   | W  | A    | W/h<br>-30°C   | BTU/h<br>-22°F |                                   |      |  |   |                 |  |  |
| 2 fori / holes  | 381                                      | 2.28 | 360  | 1.229          | 35°C                              | 95°F | 60%  | -2°C; -18°C                                       | +28.4°F; -0.4°F |  |  |
| 4 fori / holes  | 381                                      | 2.28 | 360  | 1.229          | 35°C                              | 95°F | 60%  | -2°C; -18°C                                       | +28.4°F; -0.4°F |  |  |
| 6 fori / holes  | 432                                      | 2.93 | 460  | 1.570          | 35°C                              | 95°F | 60%  | -2°C; -18°C                                       | +28.4°F; -0.4°F |  |  |
| 8 fori / holes  | 584                                      | 3.23 | 615  | 2.100          | 35°C                              | 95°F | 60%  | -2°C; -18°C                                       | +28.4°F; -0.4°F |  |  |
| 10 fori / holes   | 594                                      | 3.28 | 615  | 2.100          | 35°C                              | 95°F | 60%  | -2°C; -18°C                                       | +28.4°F; -0.4°F |  |  |
| 12 fori / holes   | 745                                      | 3.43 | 925  | 3.158          | 35°C                              | 95°F | 60%  | -2°C; -18°C                                       | +28.4°F; -0.4°F |  |  |

|  |  |      | CON MOTORE ENTRO 20 METRI<br>WITH CONDENSING UNIT WITHIN 20 METERS |                |                                   |      | TENSIONE E FREQUENZA / VOLTAGE AND FREQUENCY<br>MONOFASE - V/Ph/Hz <b>230/1/50</b> |   |                 |  |  |
|---|--|------|--|----------------|-----------------------------------|------|--|---|-----------------|--|--|
| MODELLO<br>MODEL  | POTENZA ASSORBITA<br>CURRENT CONSUMPTION |      | RESA<br>COOLING CAPACITY   |                | CLASSE CLIMATICA<br>CLIMATE CLASS |      |  | TEMPERATURA DI ESERCIZIO<br>OPERATING TEMPERATURE |                 |  |  |
|   | monofase<br>230/1/50                     |      | monofase<br>230/1/50   |                | °C                                | °F   | U.R.<br>R.H.   | °C  | °F              |  |  |
|   | W  | A    | W/h<br>-30°C   | BTU/h<br>-22°F |                                   |      |  |   |                 |  |  |
| 2 fori / holes  | 380                                      | 2.28 | 360  | 1.229          | 35°C                              | 95°F | 60%  | -2°C; -18°C                                       | +28.4°F; -0.4°F |  |  |
| 4 fori / holes  | 421                                      | 2.88 | 360  | 1.229          | 35°C                              | 95°F | 60%  | -2°C; -18°C                                       | +28.4°F; -0.4°F |  |  |
| 6 fori / holes  | 557                                      | 3.03 | 460  | 1.570          | 35°C                              | 95°F | 60%  | -2°C; -18°C                                       | +28.4°F; -0.4°F |  |  |
| 8 fori / holes  | 744                                      | 3.74 | 615  | 2.100          | 35°C                              | 95°F | 60%  | -2°C; -18°C                                       | +28.4°F; -0.4°F |  |  |
| 10 fori / holes   | 754                                      | 3.78 | 615  | 2.100          | 35°C                              | 95°F | 60%  | -2°C; -18°C                                       | +28.4°F; -0.4°F |  |  |
| 12 fori / holes   | 1207                                     | 5.99 | 925  | 3.158          | 35°C                              | 95°F | 60%  | -2°C; -18°C                                       | +28.4°F; -0.4°F |  |  |



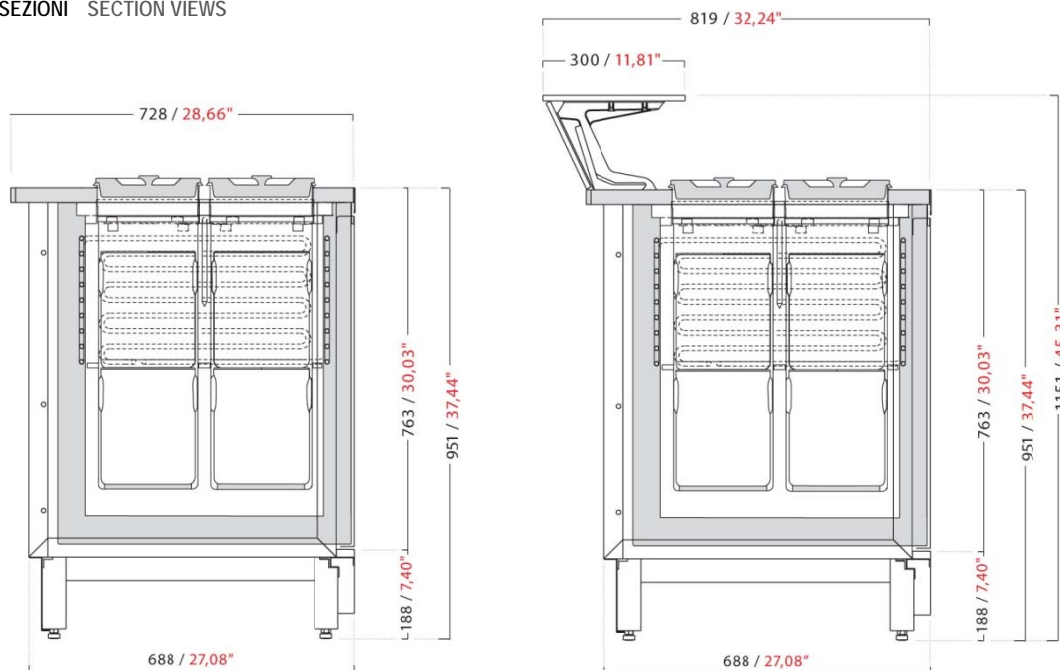
## POZZETTI A GLICOLE / GLYCOL POZZETTI

Banco pozzetti a glicole con riserva /  
Glycol pozzetti counter with 2 levels of tubs



| CARATTERISTICHE TECNICHE   | OPTIONAL   | TECHNICAL SPECIFICATIONS   | OPTIONALS  |
|--|--|--|--|
| <ul style="list-style-type: none"> <li>- isolamento in schiuma di poliuretano iniettata a 40 kg/m<sup>3</sup> con spessore 60 mm</li> <li>- interno vasca in acciaio inox 18/10 AISI 304</li> <li>- esterno vasca rivestito in lamiera zincata su tutti i lati più il fondo</li> <li>- la vasca interna è corredata di foro "troppo pieno" ed è alta 600 mm per garantire che il livello del liquido refrigerante sia superiore a quello delle carpine</li> <li>- contenitori stagni per carpine in acciaio inox 18/10 AISI 304 con esclusivo sistema anti-rotazione che blocca le carpine all'interno dei cilindri, impedendone la rotazione</li> <li>- 2 livelli di carpine alte 250 mm</li> <li>- coperchi</li> <li>- piano in acciaio inox finitura Scotch-brite oppure a richiesta piano in marmo/granito/agglomerato</li> <li>- refrigerazione statica a glicole</li> <li>- pannello comandi elettronico</li> <li>- sbrinamento manuale con arresto dell'impianto</li> </ul> | <ul style="list-style-type: none"> <li>- carpine con sistema anti-rotazione</li> <li>- lavaporizzatore</li> <li>- bancalina in vetro</li> <li>- termometro rilevamento temperatura interna glicole</li> <li>- glicole alimentare in tanica da 25 litri</li> <li>- motore remoto</li> </ul> | <ul style="list-style-type: none"> <li>- insulation made of 60 mm / 1.97" thick polyurethane foam injected at 40 kg/m<sup>3</sup></li> <li>- tank interior in 18/10 AISI 304 stainless steel</li> <li>- case exterior in zincated plate steel (all 4 sides and the bottom)</li> <li>- 600 mm high internal tank equipped with a overfull drain hole, to guarantee that the glycol level will always be above the level of the tubs</li> <li>- sealed containers for cylindrical tubs in 18/10 AISI 304 stainless steel with exclusive tubs anti-rotation system</li> <li>- double level of 250 mm / 9.84" high gelato tubs</li> <li>- round lids</li> <li>- stainless steel top with Scotch-Brite finish, or marble/granite/agglomerate top on request</li> <li>- glycol refrigeration system</li> <li>- electronic control panel</li> <li>- manual defrost function with system stoppage</li> </ul> | <ul style="list-style-type: none"> <li>- tubs with anti-rotation system</li> <li>- scoop washer</li> <li>- glass countertop</li> <li>- thermometer for Glycol internal temperature</li> <li>- food grade Glycol in 25 lts. tank</li> <li>- remote condensing unit</li> </ul> |

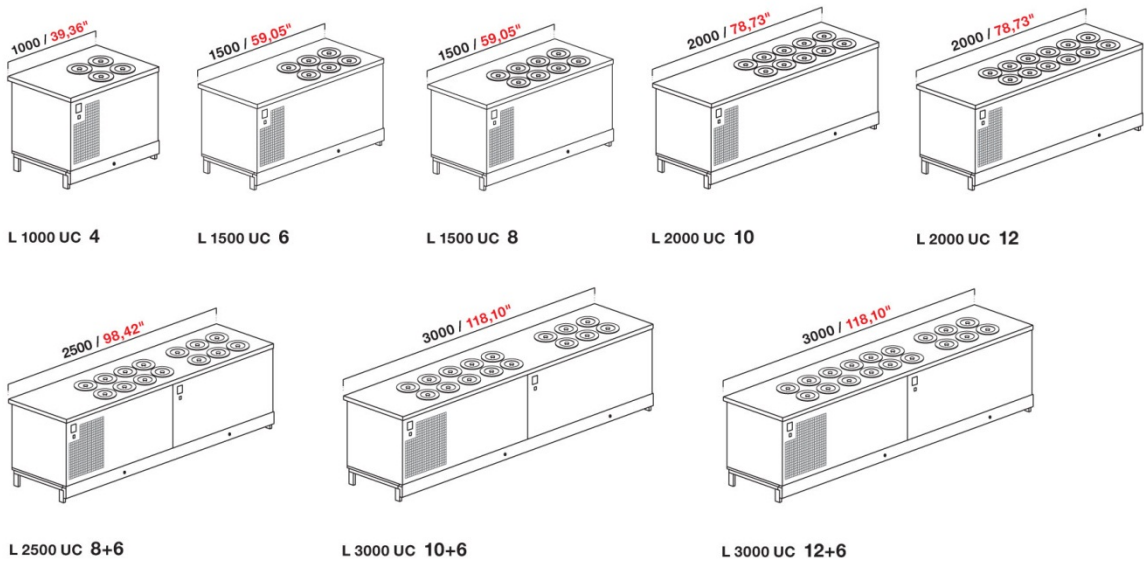
### SEZIONI SECTION VIEWS



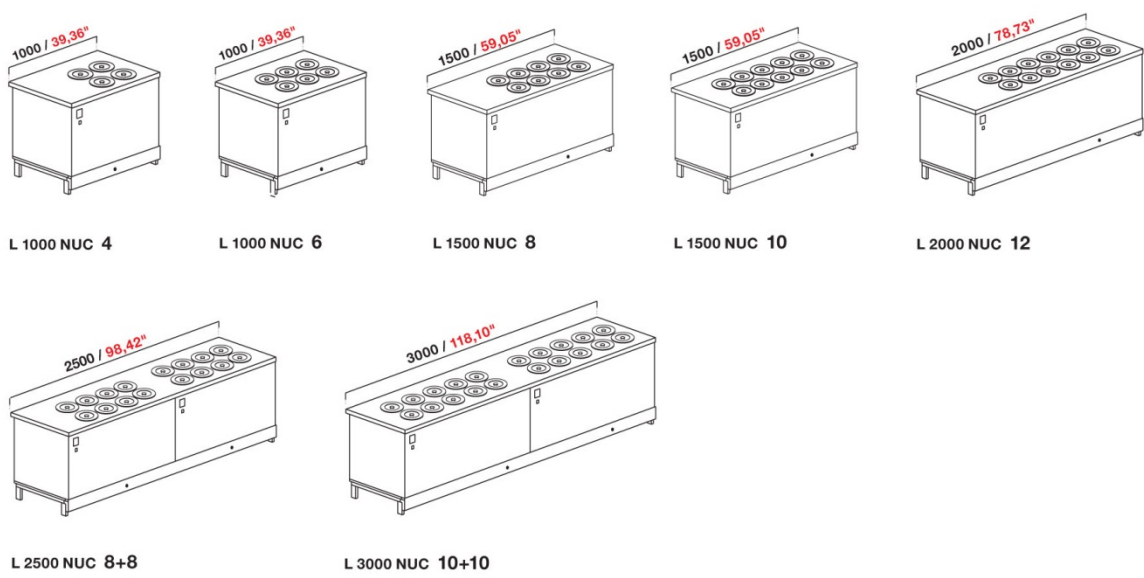
**BANCO POZZETTI A GLICOLE CON RISERVA**  
Glycol pozzetti counter with 2 levels of gelato tubs

**BANCO POZZETTI A GLICOLE CON RISERVA e bancalina in vetro**  
Glycol pozzetti counter with 2 levels of gelato tubs and glass countertop

MODULI UC = con motore a bordo UC units = with built-in air-cooled condensing unit





MODULI NUC = con motore remoto NUC units = with remote condensing unit




DIMENSIONI, PESO E IMBALLO DIMENSIONS, WEIGHT AND PACKAGING

| MODELLO<br>MODEL | LUNGHEZZA con 2 fianchi<br>LENGTH with 2 end panels |         | PROFONDITÀ<br>DEPTH |        | PESO<br>WEIGHT |     | DIMENSIONE IMBALLO<br>PACKAGING DIMENSIONS |                     | PESO con imballo<br>CRATED WEIGHT |     |
|------------------|---|---------|---------------------|--------|----------------|-----|--|---------------------|-----------------------------------|-----|
|                  | mm  | in      | mm                  | in     | kg             | lb  | mm   | in                  | kg                                | lb  |
| L 1000           | 1060  | 41.73"  | 728                 | 28.66" | 65             | 143 | 1124x911xH1367                             | 44.3"x35.9"xH53.8"  | 102                               | 225 |
| L 1500           | 1560  | 61.42"  | 728                 | 28.66" | 107            | 236 | 1624x911xH1367                             | 63.9"x35.9"xH53.8"  | 158                               | 348 |
| L 2000           | 2060  | 81.10"  | 728                 | 28.66" | 154            | 340 | 2124x911xH1367                             | 83.6"x35.9"xH53.8"  | 218                               | 481 |
| L 2500           | 2560  | 100.79" | 728                 | 28.66" | 196            | 432 | 2624x911xH1367                             | 103.3"x35.9"xH53.8" | 274                               | 604 |
| L 3000           | 3060  | 120.47" | 728                 | 28.66" | 240            | 529 | 3124x911xH1367                             | 123"x35.9"xH53.8"   | 332                               | 732 |

| <br>ETL*<br>- NSF 7<br>- UL STD 471<br>US - CAN/CSA C22.2 STD n. 120<br>Intertek Intertek |                     | UC = con motore a bordo<br>UC = with condensing unit on board<br><br>NUC = con motore remoto entro 10 metri<br>NUC = with condensing unit within 10 meters |     |     |                  | TENSIONE E FREQUENZA VOLTAGE AND FREQUENCY<br><br>V/Ph/Hz <b>208-220/1/60</b> |                                   |      |              |   |                 |
|--|---------------------|--|-----|-----|------------------|---|-----------------------------------|------|--------------|---|-----------------|
| MODELLO<br>MODEL   | POTENZA<br>COMP. HP | BREAKER<br>SIZE  | MCA | MOP | RESA<br>CAPACITY |   | CLASSE CLIMATICA<br>CLIMATE CLASS |      |              | TEMPERATURA DI ESERCIZIO<br>OPERATING TEMPERATURE |                 |
|  | HP                  | A  | A   | A   | W/h<br>-30°C     | BTU/h<br>-22°F  | °C                                | °F   | U.R.<br>R.H. | °C  | °F              |
| 4 pozzetti   | 1/3                 | 5  | 4   | 5   | 410              | 1.398   | 35°C                              | 95°F | 60%          | -2°C; -18°C                                       | +28.4°F; -0.4°F |
| 6 pozzetti   | 1/2                 | 8  | 6   | 10  | 460              | 1.569   | 35°C                              | 95°F | 60%          | -2°C; -18°C                                       | +28.4°F; -0.4°F |
| 8 pozzetti   | 5/8                 | 8  | 5   | 8   | 502              | 1.712   | 35°C                              | 95°F | 60%          | -2°C; -18°C                                       | +28.4°F; -0.4°F |
| 10 pozzetti  | 5/8                 | 8  | 5   | 8   | 502              | 1.712   | 35°C                              | 95°F | 60%          | -2°C; -18°C                                       | +28.4°F; -0.4°F |
| 12 pozzetti  | 1,2                 | 10   | 7   | 10  | 708              | 2.414   | 35°C                              | 95°F | 60%          | -2°C; -18°C                                       | +28.4°F; -0.4°F |

|  |  | UC<br>CON MOTORE A BORDO<br>WITH CONDENSING UNIT ON BOARD |                          |                |                                   | TENSIONE E FREQUENZA VOLTAGE AND FREQUENCY<br><br>MONOFASE - V/Ph/Hz <b>230/1/50</b> |              |   |                 |  |  |
|---|--|---|--------------------------|----------------|-----------------------------------|--|--------------|---|-----------------|--|--|
| MODELLO<br>MODEL  | POTENZA ASSORBITA<br>CURRENT CONSUMPTION |   | RESA<br>COOLING CAPACITY |                | CLASSE CLIMATICA<br>CLIMATE CLASS |  |              | TEMPERATURA DI ESERCIZIO<br>OPERATING TEMPERATURE |                 |  |  |
|   | monofase<br>230/1/50                     |   | monofase<br>230/1/50     |                | °C                                | °F   | U.R.<br>R.H. | °C  | °F              |  |  |
|   | W  | A   | W/h<br>-30°C             | BTU/h<br>-22°F |                                   |  |              |   |                 |  |  |
| L 1000 UC - 4 pozzetti  | 380                                      | 2.28  | 360                      | 1.228          | 35°C                              | 95°F   | 60%          | -2°C; -18°C                                       | +28.4°F; -0.4°F |  |  |
| L 1500 UC - 6 pozzetti  | 430                                      | 2.92  | 460                      | 1.570          | 35°C                              | 95°F   | 60%          | -2°C; -18°C                                       | +28.4°F; -0.4°F |  |  |
| L 1500 UC - 8 pozzetti  | 581                                      | 3.22  | 615                      | 2.100          | 35°C                              | 95°F   | 60%          | -2°C; -18°C                                       | +28.4°F; -0.4°F |  |  |
| L 2000 UC - 10 pozzetti   | 590                                      | 3.26  | 615                      | 2.100          | 35°C                              | 95°F   | 60%          | -2°C; -18°C                                       | +28.4°F; -0.4°F |  |  |
| L 2000 UC - 12 pozzetti   | 740                                      | 3.41  | 865                      | 2.950          | 35°C                              | 95°F   | 60%          | -2°C; -18°C                                       | +28.4°F; -0.4°F |  |  |
| L 2500 UC - 8+6 pozzetti  | 747                                      | 2.69  | 865                      | 2.950          | 35°C                              | 95°F   | 60%          | -2°C; -18°C                                       | +28.4°F; -0.4°F |  |  |
| L 3000 UC - 10+6 pozzetti   | 1022                                     | 4.74  | 1190                     | 4.058          | 35°C                              | 95°F   | 60%          | -2°C; -18°C                                       | +28.4°F; -0.4°F |  |  |
| L 3000 UC - 12+6 pozzetti   | 1031                                     | 4.78  | 1190                     | 4.058          | 35°C                              | 95°F   | 60%          | -2°C; -18°C                                       | +28.4°F; -0.4°F |  |  |

|  |  | CON MOTORE ENTRO 20 METRI<br>WITH CONDENSING UNIT WITHIN 20 METERS |                          |                |                                   | TENSIONE E FREQUENZA / VOLTAGE AND FREQUENCY<br><br>MONOFASE - V/Ph/Hz <b>230/1/50</b> |              |   |                 |  |  |
|---|--|--|--------------------------|----------------|-----------------------------------|--|--------------|---|-----------------|--|--|
| MODELLO<br>MODEL  | POTENZA ASSORBITA<br>CURRENT CONSUMPTION |  | RESA<br>COOLING CAPACITY |                | CLASSE CLIMATICA<br>CLIMATE CLASS |  |              | TEMPERATURA DI ESERCIZIO<br>OPERATING TEMPERATURE |                 |  |  |
|   | monofase<br>230/1/50                     |  | monofase<br>230/1/50     |                | °C                                | °F   | U.R.<br>R.H. | °C  | °F              |  |  |
|   | W  | A  | W/h<br>-30°C             | BTU/h<br>-22°F |                                   |  |              |   |                 |  |  |
| L 1000 NUC - 4 pozzetti   | 380                                      | 2.28   | 360                      | 1.228          | 35°C                              | 95°F   | 60%          | -2°C; -18°C                                       | +28.4°F; -0.4°F |  |  |
| L 1000 NUC - 6 pozzetti   | 555                                      | 3.02   | 615                      | 2.100          | 35°C                              | 95°F   | 60%          | -2°C; -18°C                                       | +28.4°F; -0.4°F |  |  |
| L 1500 NUC - 8 pozzetti   | 651                                      | 2.27   | 925                      | 3.158          | 35°C                              | 95°F   | 60%          | -2°C; -18°C                                       | +28.4°F; -0.4°F |  |  |
| L 1500 NUC - 10 pozzetti  | 660                                      | 2.31   | 925                      | 3.158          | 35°C                              | 95°F   | 60%          | -2°C; -18°C                                       | +28.4°F; -0.4°F |  |  |
| L 2000 NUC - 12 pozzetti  | 935                                      | 3.61   | 1085                     | 3.700          | 35°C                              | 95°F   | 60%          | -2°C; -18°C                                       | +28.4°F; -0.4°F |  |  |
| L 3000 NUC - 8+8 pozzetti   | 942                                      | 3.65   | 1085                     | 3.700          | 35°C                              | 95°F   | 60%          | -2°C; -18°C                                       | +28.4°F; -0.4°F |  |  |
| L 3000 NUC - 10+10 pozzetti   | 960                                      | 3.73   | 1085                     | 3.700          | 35°C                              | 95°F   | 60%          | -2°C; -18°C                                       | +28.4°F; -0.4°F |  |  |