



BELLEVUE

Panorama technology

Design Marc Sadler + IFI R&D Dept.

BELLEVUE
Panorama® tubs



BELLEVUE

Panorama® pans





Enjoy the view



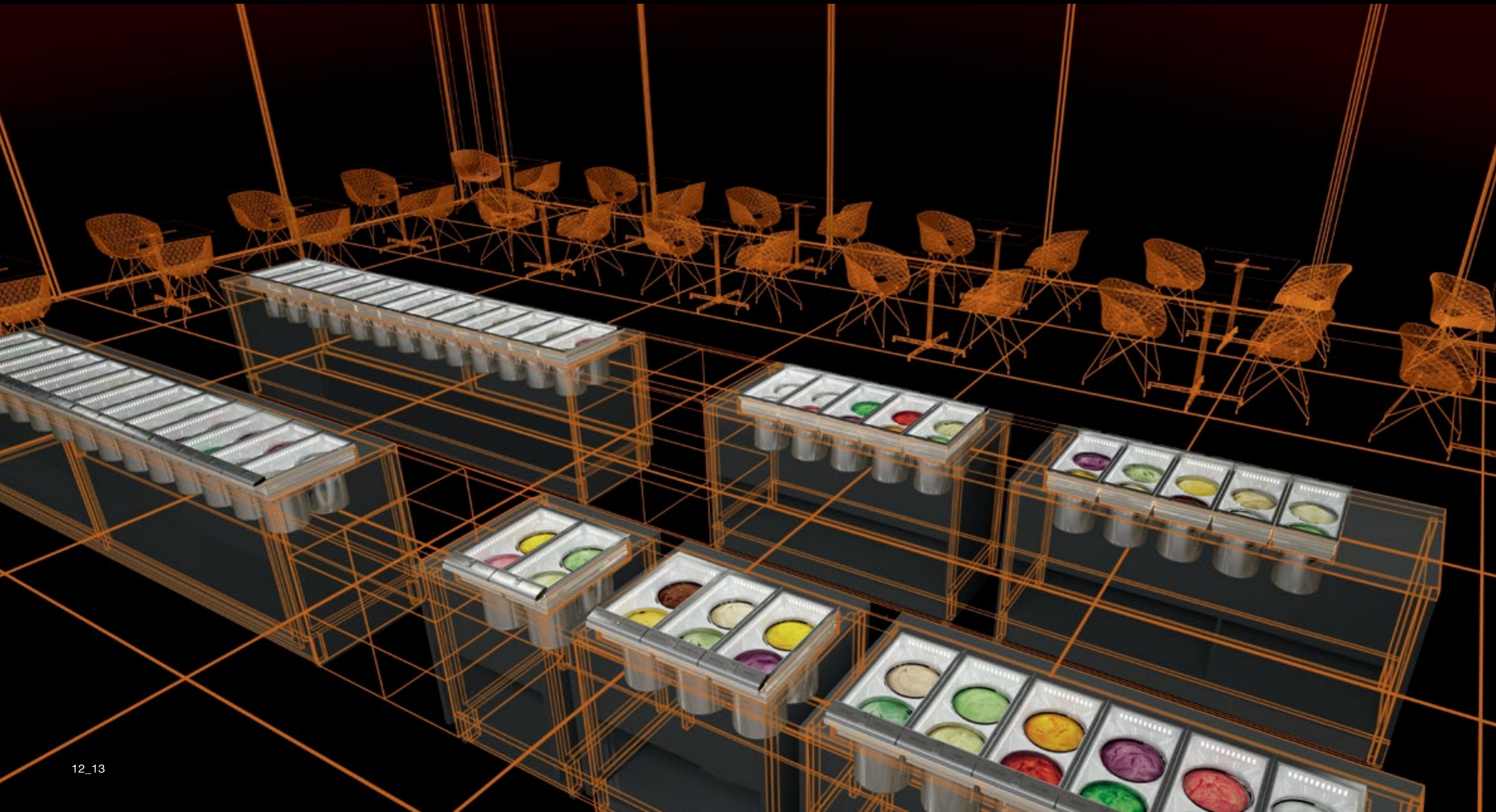
Modularity



Built-in



Built-in



Visibility



Protection



Ergonomics



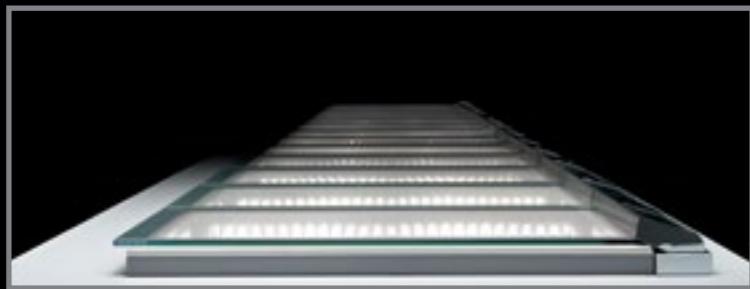
Multi-temperature



The image displays a multi-temperature ice cream machine interface with six distinct zones. Each zone has a control panel at the top showing a digital temperature display and a keypad. Below the controls are product trays containing various ice cream flavors and toppings. At the bottom, the corresponding Celsius and Fahrenheit temperatures for each zone are listed.

| Zone | Temperature (°C) | Temperature (°F) |
|------|------------------|------------------|
| 1 | -14 | 7 |
| 2 | -5 | 23 |
| 3 | -18 | 0 |
| 4 | -13 | 9 |
| 5 | -12 | 10 |
| 6 | +2 | 36 |

Hermetic



Hygiene

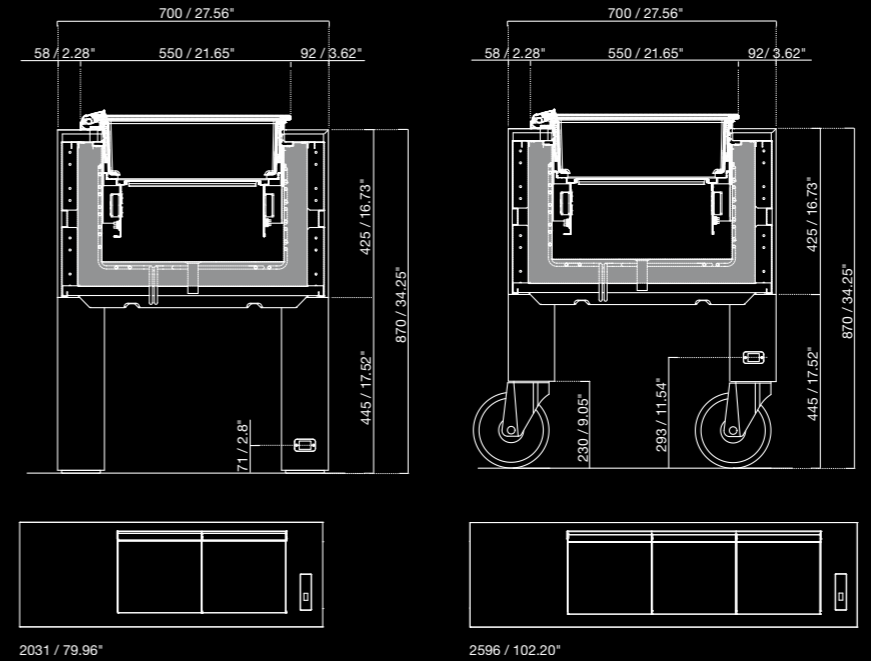
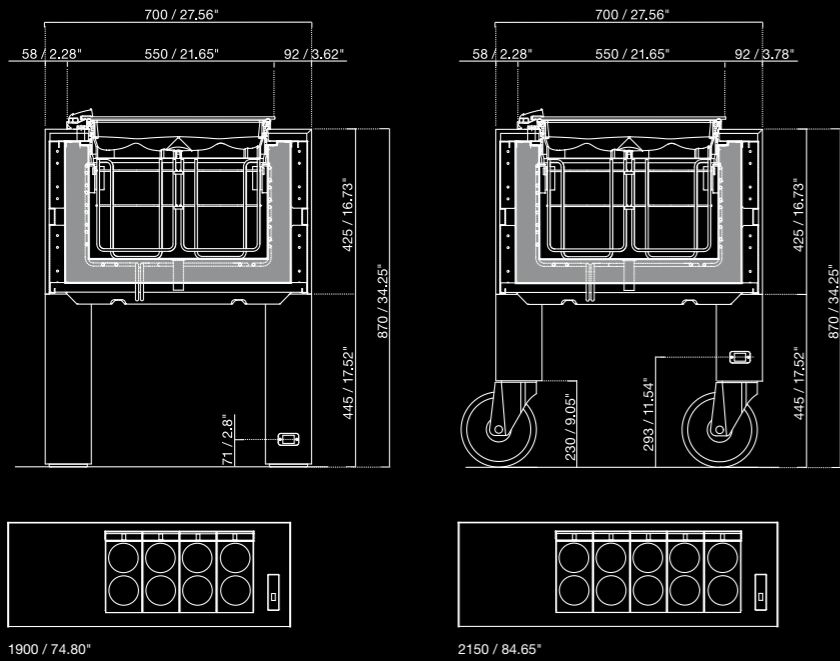


Antirotation





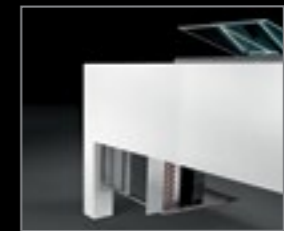




To access the condensing unit (CU):
Per accedere all'unità condensatrice (UC):
Pour accéder à l'unité de condensation (UC):
Zutritt zur Kondensatoreinheit (UC):
Para acceder a la unidad de condensación (UC):

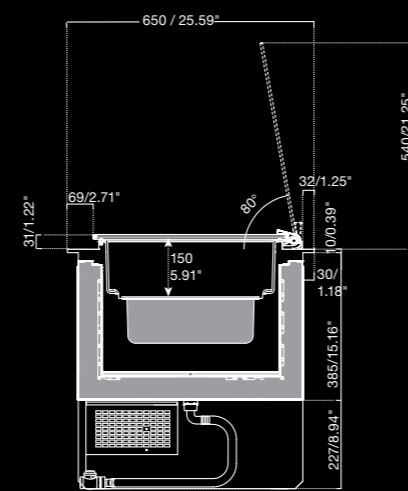
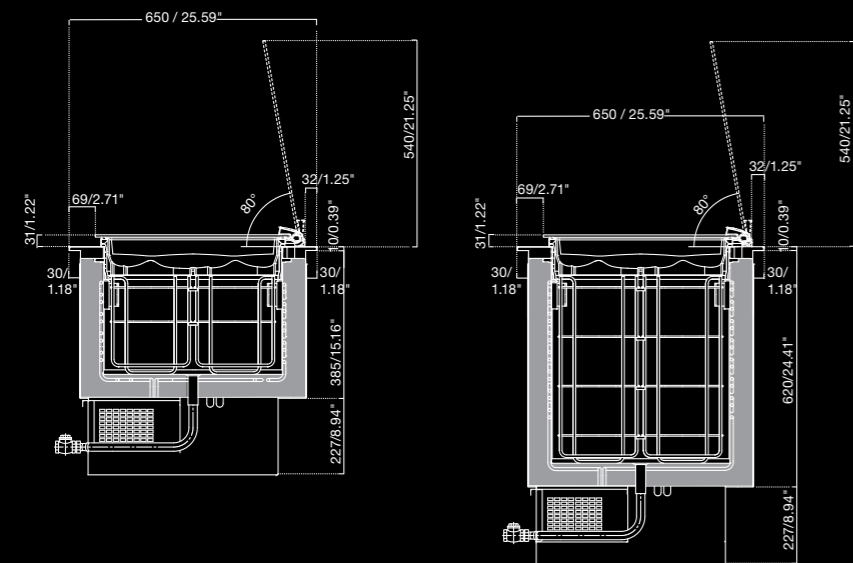


Unscrew the knob
Svitare la manopola
Dévisser la poignée
Den Drehgriff aufschrauben
Desenroscar el pomo



The CU easily comes down and has an end-stop
La UC scende facilmente ed è dotata di blocco di fine corsa
L'UC descend facilement et est équipée d'une butée de fin de course
Die UC lässt sich leicht absenken und ist mit einem Endanschlag gesichert
La UC desciende fácilmente y está provista de bloqueo de final de carrera

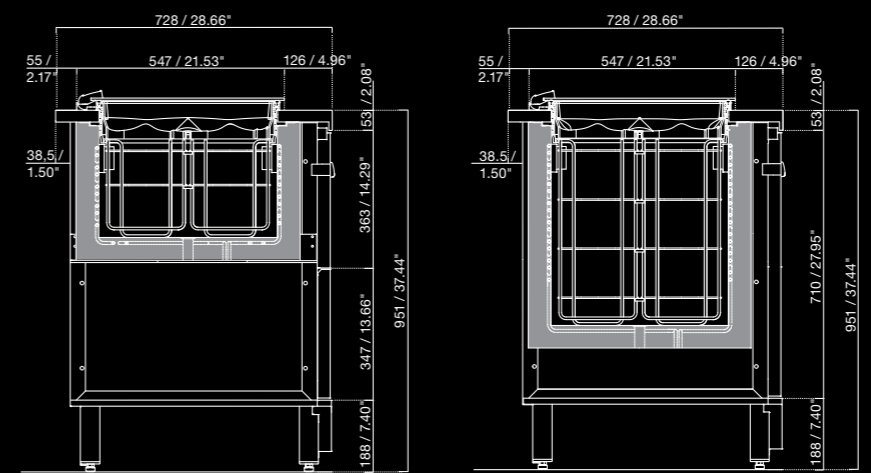
PANORAMA®



PANORAMA® TUBS
Built-in tank with one level of gelato tubs
Vasca da incasso senza riserva
Cuve encastrable sans réserve
Einbau-Wanne für Gelato/Granita ohne Vorrat
Cuba empotrada sin reserva

PANORAMA® TUBS
Built-in tank with two levels of gelato tubs
Vasca da incasso con riserva
Cuve encastrable avec réserve
Einbau-Wanne für Gelato/Granita mit Vorrat
Cuba empotrada con reserva

PANORAMA® PANS
Built-in tank with one level of gelato tubs
Vasca da incasso senza riserva
Cuve encastrable sans réserve
Einbau-Wanne für Gelato/Granita ohne Vorrat
Cuba empotrada sin reserva



PANORAMA® TUBS COUNTER
Counter with one level of gelato tubs
Banco senza riserva
Comptoir sans réserve
Theke ohne Vorrat
Mostrador sin reserva

PANORAMA® TUBS COUNTER
Counter with two levels of gelato tubs
Banco con riserva
Comptoir avec réserve
Theke mit Vorrat
Mostrador con reserva

Bellevue Panorama technology has been designed by Marc Sadler in collaboration with IFI R&D Dept.

Bellevue Panorama technology è un progetto di Marc Sadler in collaborazione con il dipartimento ricerca e sviluppo IFI.

IFI reserves the right to make modifications to the products shown in this catalogue at any time without prior notice. The finishings shown in this catalogue are approximate, as a printed reproduction causes inevitable colour differences.

IFI si riserva il diritto di apportare modifiche ai prodotti illustrati in questo catalogo, in qualunque momento senza l'obbligo di preavviso. Le finiture riprodotte in questo catalogo sono indicative per le inevitabili differenze dovute alla riproduzione tipografica.

The catalogue has been produced through the collaboration of:

Il catalogo è stato realizzato con la collaborazione di:

CONCEPT
studiopieri web & graphic agency
Amati Bacciardi
IFI Marketing Department

GRAPHIC DESIGN
studiopieri web & graphic agency

3-D VISUALIZATION
studiopieri web & graphic agency

VIDEO CLIP
studiopieri web & graphic agency
Amati Bacciardi

© COPYRIGHT IFI S.P.A.,
Tavullia (PU) Italia, 2014, 2018
- All Rights Reserved
- Tutti I Diritti Riservati
01/2018

**PRODUCTS PROTECTED BY PATENT
PRODOTTI TUTELATI DA BREVETTO**



ADI MEMBER



Main Partner



ifi.it

#ifi1962



IFI S.p.A.
Strada Selva Grossa 28/30
61010 TAVULLIA (PU) - Italy
Tel. +39 0721 20021
Fax +39 0721 201773
ifi.it - info@ifi.it - export@ifi.it

INDUSTRIEIFI®