



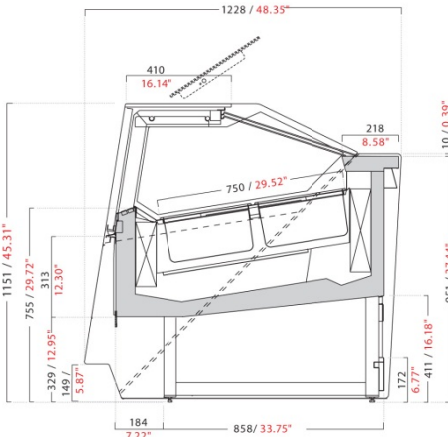
CUBIKA

vetrina GELATO "4 stagioni" / "4 seasons" GELATO display case

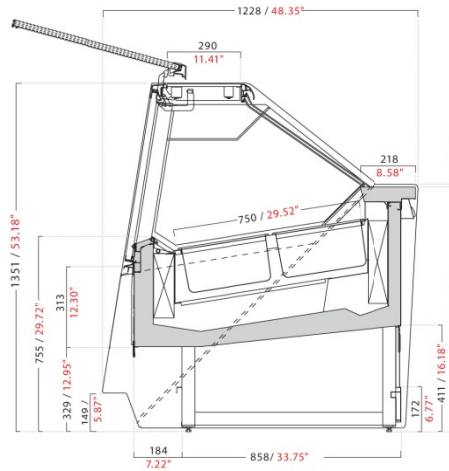


CARATTERISTICHE TECNICHE	OPTIONAL	TECHNICAL SPECIFICATIONS	OPTIONALS
<ul style="list-style-type: none"> - vasca monoblocco schiumata in poliuretano iniettato a 40 kg/m³ - castello vetri in alluminio brillantato - chiusura con pannelli scorrevoli in plexiglas - termostato elettronico con visualizzatore temperatura e ripetitore lato cliente - vetri frontali e laterali camera, temperati, pirolitici, riscaldati - nella versione H 1351 mm, vetro frontale apribile verso l'alto - nella versione H 1151 vetro frontale fisso e vetro superiore apribile con sistema rototraslativo - piano espositivo inclinato di 9° - illuminazione a led - segnaposti a led luminosi (brevetto ifi) - refrigerazione ventilata con doppio evaporatore - sbrinamento a gas caldo o inversione di ciclo 	<ul style="list-style-type: none"> - versione 4 stagioni: grazie al pulsante di commutazione è possibile con un semplice "click" passare dalla funzione gelateria BT (= temperatura negativa -12°C/-18°C) alla funzione pasticceria o snack TN (= temperatura positiva +4°C/+8°C) - vaschette gelato 360x165 - vaschette gelato 360x250 - lavaporzionate - piano porta torte - ruote - modulo con temperatura differenziata - unità condensatrice remota - tropicalizzazione: unità condensatrice remota testata a +43°C ambiente 	<ul style="list-style-type: none"> - monobloc foam tank insulated with injected polyurethane (40 kg/m³) - glass structure in shiny aluminium - rear closure with sliding Plexiglas panels - electronic thermostat with temperature display and relative repeater on customer's side - heated, tempered, pyrolytic, double glass fronts and sides - in the H 1351 / 53.19° version the glass front opens upwards - in the H 1151 / 45.31° version the glass front is fixed and the glass top opens with a translatory movement - display surface tilted at a 9° angle - LED lighting - LED-lit flavour cards (patented by IFI) - Ventilated refrigeration system with double evaporator - Hot gas or reverse cycle defrosting system 	<ul style="list-style-type: none"> - "4 Seasons" version: by just clicking the change button the case can be turned from gelato (BT = low temperature -12°C/-18°C) to pastry (TN = positive temperature +4°C/+8°C) - gelato pans: 360x165 mm / 14.17"x6.5" - gelato pans: 360x250 mm / 14.17"x9.84" - scoop washer - stainless steel cakes tray - castor wheels - differentiated temperature unit - remote condensing unit - tropicalization: remote condensing unit tested at +43°C / 109.4°F ambient temperature

SEZIONI SECTION VIEWS



H 1151 mm / 45.31" CE ETL



H 1351 mm / 53.18" CE ETL

MODULI E VASCHE GELATO UNITS AND GELATO PAN LAYOUTS

	*1100 / *43.30"	*1600 / *62.99"	*2100 / *82.67"	*3200 / *125.98"	1/30°	2/30°	2/45°
360x165 14.2"x6.5"							
360x250 14.2"x9.8"							
<p>Vaschette gelato trapezoidali di capienza equivalente alle vaschette 360x165 mm Trapezoidal gelato pans with the same capacity of the 360x165 mm / 14.17"x6.5" pans</p>							
<p>*misure senza fianchi: 1 fianco spessore 28 mm / *end panels not included: 1 end panel 28 mm / 1.1" thick</p>							

CAPIENZA VASCHE GELATO GELATO PAN CAPACITY

360x165 mm 14.17"x6.5"	H 120 mm / H 4.72" → 5 litri / 5 liters	360x250 mm 14.17"x9.84"	H 80 mm / H 3.15" → 5,5 litri / 5.5 liters
	H 150 mm / H 5.91" → 7 litri / 7 liters		H 120 mm / H 4.72" → 8,5 litri / 8.5 liters
			H 150 mm / H 5.91" → 10,5 litri / 10.5 liters


DIMENSIONI, IMBALLO E PESO DIMENSIONS, PACKAGING AND WEIGHT

	MODELLO MODEL	LUNGHEZZA con 2 fianchi LENGTH with 2 end panels		PROFONDITÀ DEPTH		PESO WEIGHT		DIMENSIONE IMBALLO PACKAGING DIMENSIONS		PESO con imballo CRATED WEIGHT	
		mm	in	mm	in	kg	lb	mm	in	kg	lb
H 1151 mm / 45.31"	1100	1156	45.51"	1199	47.20"	240	529	1294x1311xH1359	50.9"x51.6"xH53.5"	300	661
	1600	1656	65.20"	1199	47.20"	335	739	1794x1311xH1359	70.6"x51.6"xH53.5"	414	913
	2100	2156	84.88"	1199	47.20"	425	937	2270x1311xH1359	89.4"x51.6"xH53.5"	522	1151
	3200	3256	128.19"	1199	47.20"	550	1213	3394x1311xH1359	133.6"x51.6"xH53.5"	692	1526
	1/30°	1568	61.73"	1199	47.20"	325	717	1749x1363xH1359	68.9"x53.7"xH53.5"	405	893
	2/30°	1570	61.81"	1199	47.20"	325	717	1749x1363xH1359	68.9"x53.7"xH53.5"	405	893
	2/45°	1606	63.23"	1199	47.20"	325	717	1749x1363xH1359	68.9"x53.7"xH53.5"	405	893
H 1351 mm / 53.19"	1100	1156	45.51"	1199	47.20"	240	529	1294x1311xH1559	50.9"x51.6"xH61.4"	300	661
	1600	1656	65.20"	1199	47.20"	335	739	1794x1311xH1559	70.6"x51.6"xH61.4"	414	913
	2100	2156	84.88"	1199	47.20"	425	937	2270x1311xH1559	89.4"x51.6"xH61.4"	522	1151
	3200	3256	128.19"	1199	47.20"	550	1213	3394x1311xH1559	133.6"x51.6"xH61.4"	692	1526
	1/30°	1568	61.73"	1199	47.20"	325	717	1749x1363xH1559	68.9"x53.7"xH61.4"	405	893
	2/30°	1570	61.81"	1199	47.20"	325	717	1749x1363xH1559	68.9"x53.7"xH61.4"	405	893
	2/45°	1606	63.23"	1199	47.20"	325	717	1749x1363xH1559	68.9"x53.7"xH61.4"	405	893

1 fianco spessore 28 mm 1 end panel 28 mm / 1.1" thick



DATI TECNICI TECHNICAL SPECIFICATIONS

 ETL* - NSF 7 - UL STD 471 - CAN/CSA C22.2 STD n. 120 Intertek Intertek			UC CON MOTORE A BORDO WITH CONDENSING UNIT ON BOARD				TENSIONE E FREQUENZA VOLTAGE AND FREQUENCY V/Ph/Hz 208-220/1/60				
MODELLO MODEL	CAVALLI COMP. HP	BREAKER SIZE	MCA	MOP	RESA CAPACITY		CLASSE CLIMATICA CLIMATE CLASS			TEMPERATURA DI ESERCIZIO OPERATING TEMPERATURE	
	HP	A	A	A	W/h -30°C	BTU/h -22°F	°C	°F	U.R. R.H.	°C	°F
1100	2	15	13	19	1500	5.115	35°C	95°F	60%	-2°C;-18°C	+28.4°F;-0.4°F
1600	2	15	13	19	1500	5.115	35°C	95°F	60%	-2°C;-18°C	+28.4°F;-0.4°F
2100	2	20	14	20	1500	5.115	30°C	86°F	55%	-2°C;-18°C	+28.4°F;-0.4°F
1/30°	2	15	12	19	1500	5.115	35°C	95°F	60%	-2°C;-18°C	+28.4°F;-0.4°F
2/30°	2	15	13	19	1500	5.115	35°C	95°F	60%	-2°C;-18°C	+28.4°F;-0.4°F
2/45°	2	15	12	18	1500	5.115	35°C	95°F	60%	-2°C;-18°C	+28.4°F;-0.4°F

			UC CON MOTORE A BORDO WITH BUILT-IN AIR-COOLED CONDENSING UNIT				TENSIONE E FREQUENZA VOLTAGE AND FREQUENCY TRIFASE - V/Ph/Hz 400/3/50 MONOFASE - V/Ph/Hz 230/1/50				
---	--	--	--	--	--	--	---	--	--	--	--

MODELLO MODEL	POTENZA ASSORBITA CURRENT CONSUMPTION				RESA COOLING CAPACITY				CLASSE CLIMATICA CLIMATE CLASS			TEMPERATURA DI ESERCIZIO OPERATING TEMPERATURE	
	trifase 400/3/50		monofase 230/1/50		trifase 400/3/50		monofase 230/1/50		°C	°F	U.R. R.H.	°C	°F
	W	A	W	A	W/h -30°C	BTU/h -22°F	W/h -30°C	BTU/h -22°F					
1100	1633	5.28	1840	8.98	1200	4.092	1085	3.700	35°C	95°F	60%	-2°C;-18°C	+28.4°F;-0.4°F
1600	2201	7.62	2121	11.32	1580	5.387	1750	5.968	35°C	95°F	60%	-2°C;-18°C	+28.4°F;-0.4°F
2100	2689	9.76	2319	12.36	2100	7.161	1750	5.968	35°C	95°F	60%	-2°C;-18°C	+28.4°F;-0.4°F
3200	3092	12.00			2780	9.480			35°C	95°F	60%	-2°C;-18°C	+28.4°F;-0.4°F
1/30°	1635	5.29	1842	8.99	1200	4.092	1085	3.700	35°C	95°F	60%	-2°C;-18°C	+28.4°F;-0.4°F
2/30°	1718	5.64	1925	9.34	1200	4.092	1085	3.700	35°C	95°F	60%	-2°C;-18°C	+28.4°F;-0.4°F
2/45°	1588	4.68	1795	8.38	1200	4.092	1085	3.700	35°C	95°F	60%	-2°C;-18°C	+28.4°F;-0.4°F
1600 TD*	2046	7.83	2253	11.53	1190 + 615	4.058 + 2.097	1085 + 615	3.700 + 2.097	35°C	95°F	60%	-2°C;-18°C	+28.4°F;-0.4°F
2100 TD*	2614	10.38	2534	14.08	1580 + 615	5.388 + 2.097	1750 + 615	5.868 + 2.097	35°C	95°F	60%	-2°C;-18°C	+28.4°F;-0.4°F
3200 TD*	3822	12.78	3662	20.18	1580 + 1580	5.388 + 5.388	1750 + 1750	5.868 + 5.868	35°C	95°F	60%	-2°C;-18°C	+28.4°F;-0.4°F

*TD = vetrina con settore temperatura differenziata *Showcase with a differentiated temperature sector

			CON MOTORE REMOTO ENTRO 22 METRI WITH CONDENSING UNIT WITHIN 22 METERS				TENSIONE E FREQUENZA / VOLTAGE AND FREQUENCY TRIFASE - V/Ph/Hz 400/3/50				
---	--	--	--	--	--	--	--	--	--	--	--

MODELLO MODEL	POTENZA ASSORBITA CURRENT CONSUMPTION				RESA COOLING CAPACITY				CLASSE CLIMATICA CLIMATE CLASS			TEMPERATURA DI ESERCIZIO OPERATING TEMPERATURE	
	trifase 400/3/50				trifase 400/3/50				°C	°F	U.R. R.H.	°C	°F
	W	A			W/h -30°C	BTU/h -22°F							
1100	1923	5.98			1580	5.388			35°C	95°F	60%	-2°C;-18°C	+28.4°F;-0.4°F
1600	2411	8.12			2100	7.161			35°C	95°F	60%	-2°C;-18°C	+28.4°F;-0.4°F
2100	2529	8.66			2100	7.161			35°C	95°F	60%	-2°C;-18°C	+28.4°F;-0.4°F
3200	3842	14.30			3150	10.742			35°C	95°F	60%	-2°C;-18°C	+28.4°F;-0.4°F
1/30°	1925	5.99			1580	5.388			35°C	95°F	60%	-2°C;-18°C	+28.4°F;-0.4°F
2/30°	2008	6.34			1580	5.388			35°C	95°F	60%	-2°C;-18°C	+28.4°F;-0.4°F
2/45°	1958	6.13			1580	5.388			35°C	95°F	60%	-2°C;-18°C	+28.4°F;-0.4°F
1100 TD*	1218+635	4.98+2.2			865+865	2.950+2.950			35°C	95°F	60%	-2°C;-18°C	+28.4°F;-0.4°F
1600 TD*	2041+635	6.82+2.2			1580+865	5.388+2.950			35°C	95°F	60%	-2°C;-18°C	+28.4°F;-0.4°F
2100 TD*	2529+635	9.06+2.2			2100+865	7.161+2.950			35°C	95°F	60%	-2°C;-18°C	+28.4°F;-0.4°F
3200 TD*	2.802+1710	10.50+5			2100+2100	7.161+7.161			35°C	95°F	60%	-2°C;-18°C	+28.4°F;-0.4°F

*TD = vetrina con settore temperatura differenziata Showcase with a differentiated temperature sector